

AREAMAX® LIGHT TRESPASS SHIELD

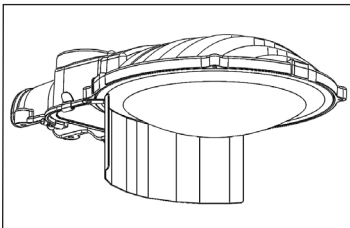
ACCESSORY

COMPATIBLE WITH AREAMAX LED LUMINAIRES

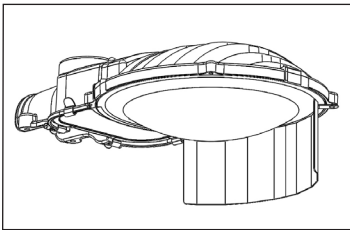
DESCRIPTION

Prevent light trespass and control backlight/sidelight with the 120° AreaMax Light Trespass Shield LTS4. A light trespass shield is an attractive way to shape light by directing and reflecting light only where you want it. Compatible with all AreaMax models shipped after February 1, 2019.

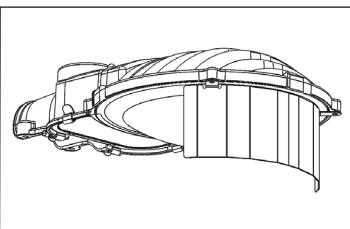
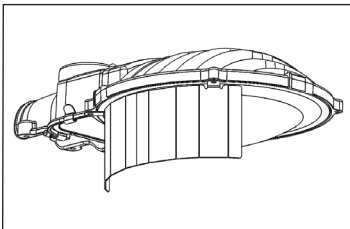
AX-LTS4



house side shield placement



alternate 90° left and right side shield placement



alternate street side shield placement

Options

120° shield may be placed in one of four positions to prevent light trespass.

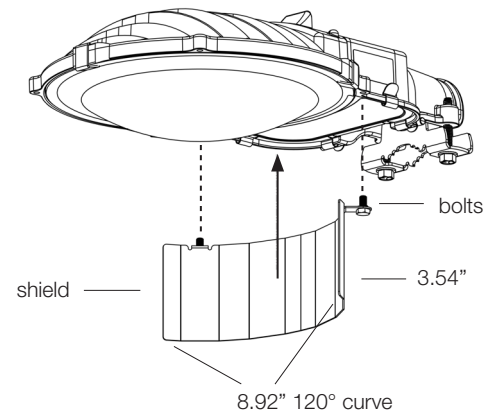
Place shield to the back (house side) of the AreaMax if the AreaMax is placed along a residential street. Choose from front (street side), 90° left, or 90° right side placements to address specific environmental lighting concerns.

Construction & Finish

Aluminum 5052-H32, Unfinished. Two ¼"-28 hex-head bolt made of 304 stainless steel with washers included.

Installation

Fasten the shield onto the AreaMax housing in one of four positions (see left) using the two stainless steel bolts provided. A 7/16" socket head is recommended for installation. Please see installation instructions for more detail.



Ordering Information

PRODUCT FAMILY ACCESSORY

AX = AreaMax

LTS4 = Light Trespass Shield

AREAMAX[®] LIGHT TRESPASS SHIELD

ACCESSORY

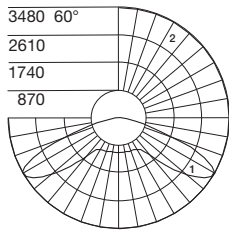
COMPATIBLE WITH AREAMAX LED LUMINAIRES

Scaled photometric data for AX-70-50 Type V and Type III available by request.

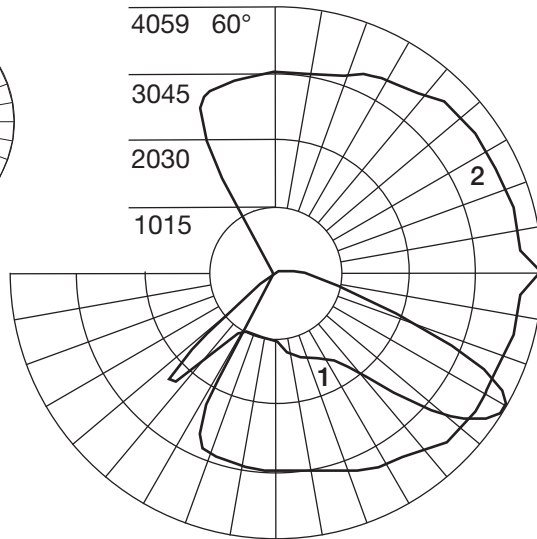
AX-70-50-5-D

Type V becomes Type IV, Very Short

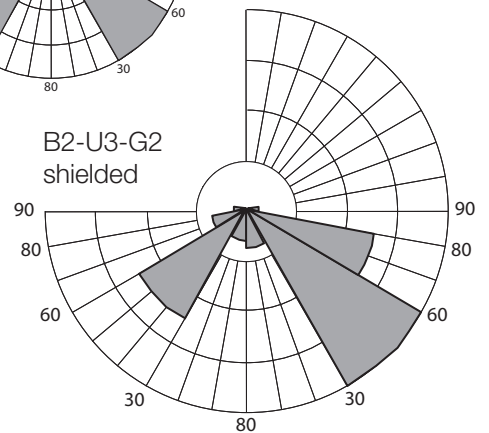
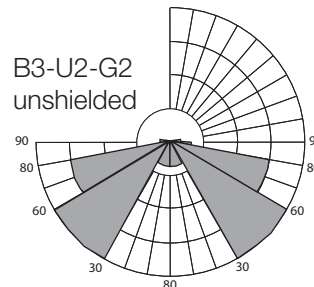
B3-U2-G2 becomes B2-U3-G2



unshielded



shielded, house side

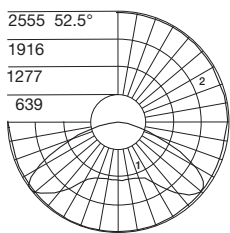


Polar Candela
Distributions: Vertical
Plane (1) and Horizontal
Cone (2) through
maximum candela

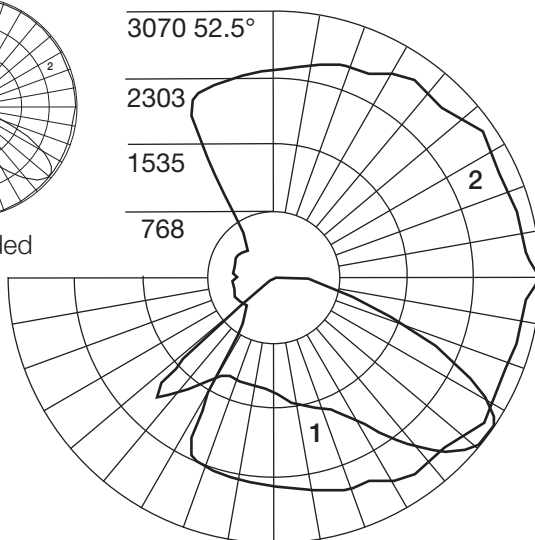
AX-70-50-5-C

Type V becomes Type IV, Very Short

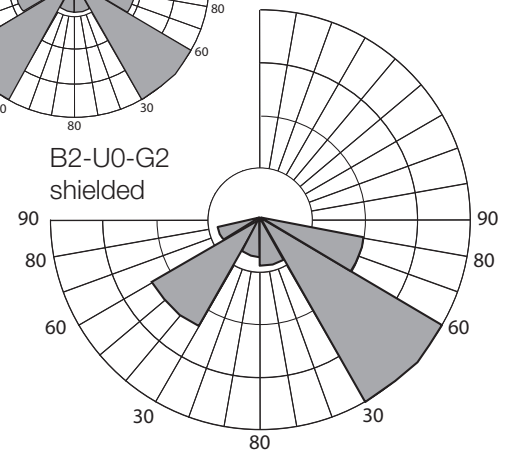
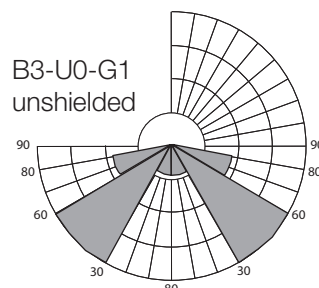
B3-U0-G1 becomes B2-U0-G2



unshielded



shielded, house side



Polar Candela
Distributions: Vertical
Plane (1) and Horizontal
Cone (2) through
maximum candela

EVLUMA AREAMAX® LIGHT TRESPASS SHIELD INSTALLATION INSTRUCTIONS

AX-LTS4

ACCESSORY

COMPATIBLE WITH AREAMAX LED LUMINAIRES SHIPPED AFTER FEBRUARY 1, 2019

Installation Instructions

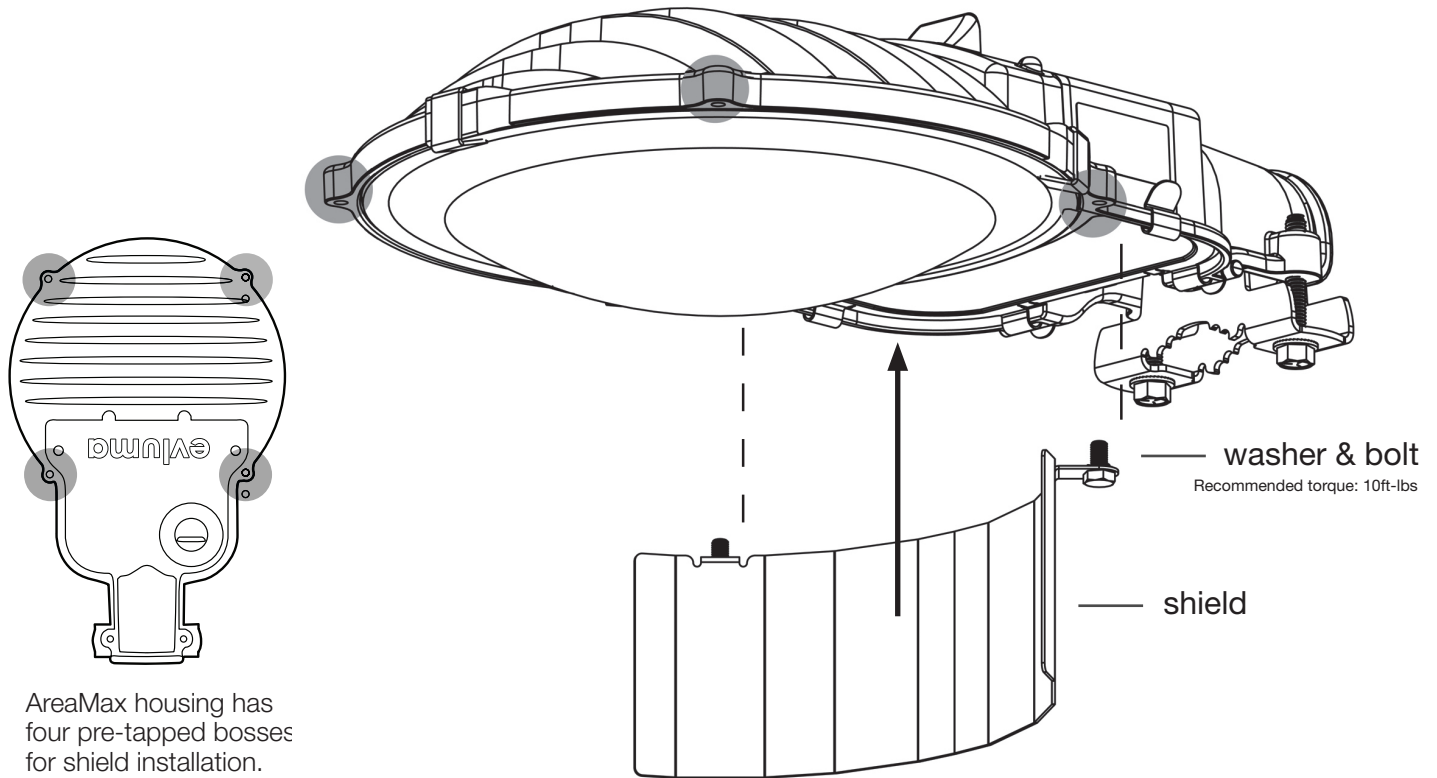
The AreaMax housing has four pre-tapped bosses available for mounting the shield in any one of four positions. Fasten the shield onto the AreaMax housing in one of four positions using the two stainless steel bolts provided.

Bolts have 12 threads (approximately half an inch) of engagement with the shield and the housing. Recommended torque of 10ft-lbs.

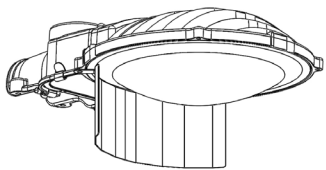
A 7/16" socket head wrench with a 4" extender is recommended for installation.

Kit Contents

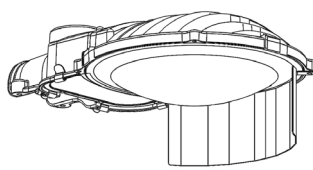
- (1) shield
- (2) sets washers and bolts, attached
- (1) installation instructions



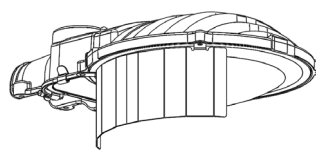
Four options for mounting



house side shield placement



alternate 90° left and right side shield placement



street side shield placement