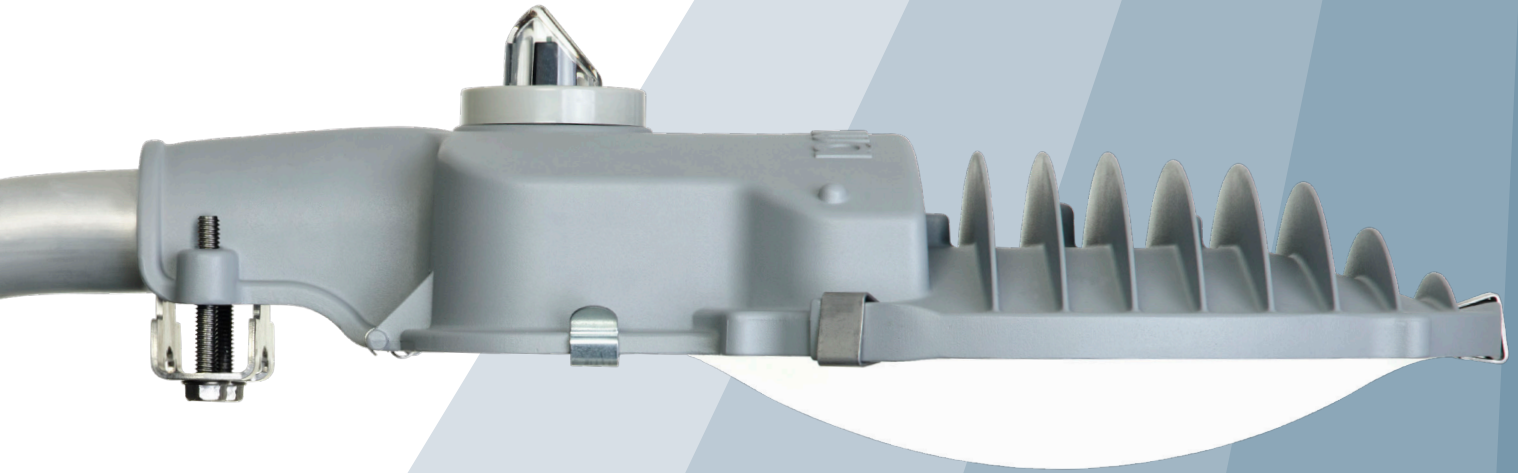


Now
with more
lumens!

AreaMax[®]



Less Maintenance.
Less Energy.
More Light.



ConnectLED™
wireless controls

Robust 20kV/10kA
surge protection

Photocontrol
Failsafe™

AreaMax[®]
by evluma

AreaMax: Utility Grade LED

A new standard for performance, reliability and savings

Perfect for rural security, residential street lighting, and parking lots. Replace 100-250W HID's with 30W-100W AreaMax LED luminaires and achieve an industry leading 175 lm/W, or more.

AreaMax standard 20kV/10kA is one of the highest rated surge protectors in market. A Class II custom driver, expertly matched components, and patented Evluma technology deliver a robust, utility-grade fixture that's built to last, and it's all backed by a 10 year warranty.

With the lowest total cost of ownership, AreaMax LED luminaires achieve major reductions in maintenance and energy costs over HID.

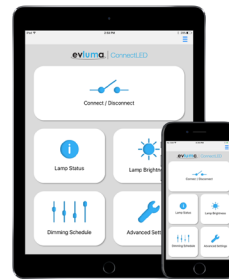


Photocontrol Failsafe™

Never roll another truck for a failed photocontrol

When a photocontrol fails, Photocontrol Failsafe™ takes over, eliminating a truck-roll and guaranteeing dusk-till-dawn operation.

Retain the existing NEMA standard twist-lock photocontrol or choose the Evluma integrated photocontrol. Either way, Evluma's Photocontrol Failsafe calibrates the on/off cycle to the unique sunrise/sunset times of the luminaire's geographic location.



ConnectLED™

Wireless lighting management

Unlock additional savings with ConnectLED™.

This app for Apple or Android devices communicates wirelessly via BLE (Bluetooth Low Energy) technology to:

- Connect/Disconnect the fixture from service
- Set maximum brightness
- Set scheduled dimming
- Monitor status, and more!



Residential Lighting

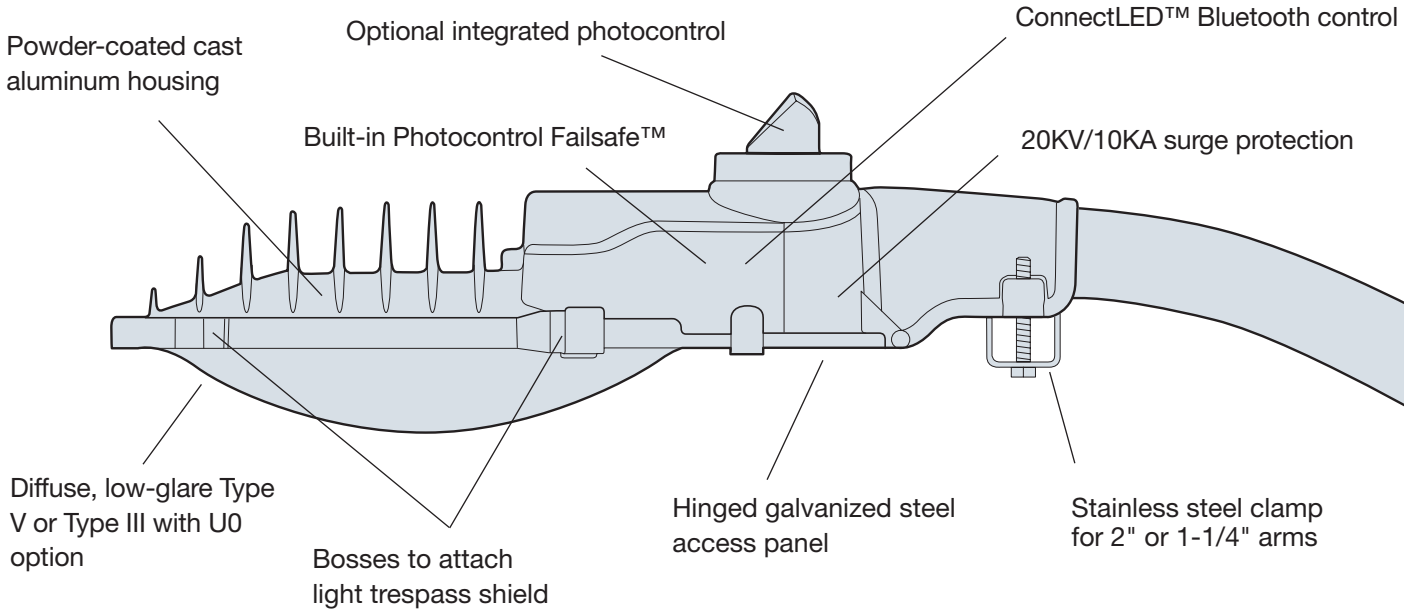


AreaMax LED Security Light

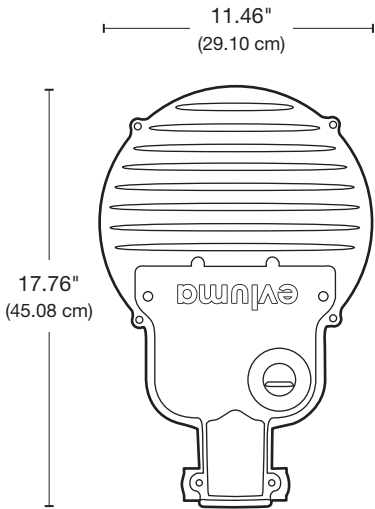


Residential Roadway Lighting

Features



Dimensions



Construction and Finish

Powder-coated, cast aluminum housing, galvanized steel, hinged access hatch with spring clips for easy open and close.

Mounting

Stainless steel tenon clamp and stainless steel screws accept 2" or 1-1/4" arm for easy slip-on installation.

Coastal Package Option

Cast aluminum alloy housing with aluminum access hatch, stainless steel tenon clamp and stainless steel bolts. Salt Spray (Fog) Test 3000 hrs.

Optical (Lens)

Textured glass and a white, optical-grade reflective film liner creates a bright yet low-glare, diffuse light.

Thermal Management

Thermal measurement protection circuitry controls current levels to the LEDs. Components of minimal thermal resistance, paired with a custom light engine and finned casting design, maximize cooling.

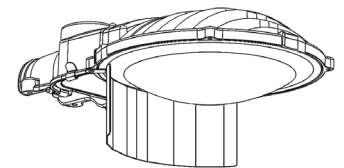
Accessory: AX-LTS4

Unfinished aluminum 120° light trespass shield may be placed in one of four positions to prevent light trespass. Order separately.

Dark Sky Approved

We are proud to offer several AreaMax models that have received the Dark Sky Seal of Approval.

Flat lens models (C) with U0, offered in 3000K or 2700K are IDA compliant. www.darksky.org

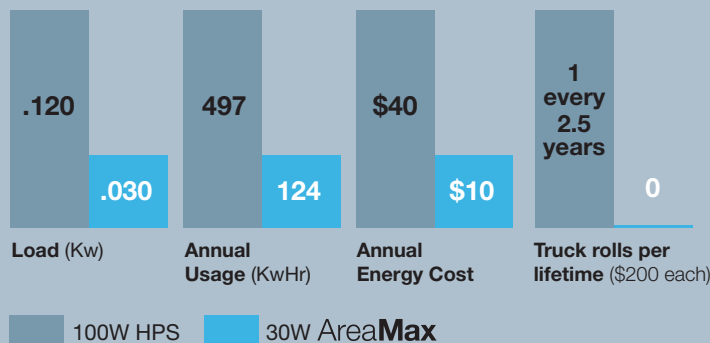


AreaMax with House Side Shield

30W Payback Model

ASSUMPTIONS

Model number
AM-30-50-5-D-P-STD-6
Annual operating hours
4140
Energy cost
.08/KwHr



Savings per Year

.08 Kw
373 KwHr
\$30 energy
\$83 maintenance

\$113 per fixture

Total Savings Over 20 Years

\$2,300

Ordering Information

Sample Number: AX-40-50-5-D-S7-CST-6

Product Family	Watts	CCT	Distribution Type	Lens (Options)	PCR/Photocell (Options)	Environmental Package (Options)	Leads (Options)	Extra
AX = AreaMax	30 = 30 watts	27 = 2700K	5 = type V	D = dome	P = integrated	STD = std outdoor	6 = 66"	- CAP
	40 = 40 watts	30 = 3000K	3 = type III	C = full cutoff*	S3 = 3 pin receptacle	CST = coastal	10 = 10'	shorting cap
	55 = 55 watts	40 = 4000K			S7 = 7 pin receptacle		20 = 20'	
	70 = 70 watts	50 = 5000K		*full cutoff delivers U0			N = none	- PC1 NEMA photocell
	100 = 100 watts							

Performance Data 80 CRI for 2700K, all other models CRI >70

30W recommended to replace 70-100W HID

Code	Lumens	LM/W
TYPE V		
50 5 (C)	4950	165
50 5 (D)	5100	170
40 5 (C)	4920	164
40 5 (D)	5040	168
30 5 (C)	4800	160
30 5 (D)	4920	164
27 5 (C)	4170	139
27 5 (D)	4290	143
TYPE III		
50 3 (C)	5220	174
50 3 (D)	5250	175
40 3 (C)	5190	173
40 3 (D)	5190	173
30 3 (C)	5040	168
30 3 (D)	5070	169
27 3 (C)	4380	146
27 3 (D)	4410	147

40W recommended to replace 100-150W HID

Code	Lumens	LM/W
TYPE V		
50 5 (C)	6280	157
50 5 (D)	6560	164
40 5 (C)	6240	156
40 5 (D)	6480	162
30 5 (C)	6080	152
30 5 (D)	6360	159
27 5 (C)	5280	132
27 5 (D)	5520	138
TYPE III		
50 3 (C)	6880	172
50 3 (D)	6760	169
40 3 (C)	6840	171
40 3 (D)	6680	167
30 3 (C)	6640	166
30 3 (D)	6520	163
27 3 (C)	5760	144
27 3 (D)	5680	142

55W recommended to replace 100-175W HID

Code	Lumens	LM/W
TYPE V		
50 5 (C)	8030	146
50 5 (D)	8525	155
40 5 (C)	7920	144
40 5 (D)	8415	153
30 5 (C)	7755	141
30 5 (D)	8250	150
27 5 (D)	6710	122
27 5 (D)	7150	130
TYPE III		
50 3 (C)	8470	154
50 3 (D)	8745	159
40 3 (C)	8360	152
40 3 (D)	8635	157
30 3 (C)	8190	149
30 3 (D)	8470	154
27 3 (C)	7095	129
27 3 (D)	7370	134

70W recommended to replace 100-200W HID

Code	Lumens	LM/W
TYPE V		
50 5 (C)	9380	134
50 5 (D)	10,080	144
40 5 (C)	9310	133
40 5 (D)	9940	142
30 5 (C)	9100	130
30 5 (D)	9730	139
27 5 (C)	7840	112
27 5 (D)	8470	121
TYPE III		
50 3 (C)	9660	138
50 3 (D)	10,360	148
40 3 (C)	9520	136
40 3 (D)	10,220	146
30 3 (C)	9310	133
30 3 (D)	10,010	143
27 3 (C)	8120	116
27 3 (D)	8680	124

100W recommended to replace 200-250W HID

Code	Lumens	LM/W
TYPE V		
50 5 (C)	12,100	121
50 5 (D)	13,000	130
40 5 (C)	11,900	119
40 5 (D)	12,900	129
30 5 (C)	11,600	116
30 5 (D)	12,600	126
27 5 (C)	10,100	101
27 5 (D)	10,600	106
TYPE III		
50 3 (C)	12,600	126
50 3 (D)	13,400	134
40 3 (C)	12,500	125
40 3 (D)	13,300	133
30 3 (C)	12,200	122
30 3 (D)	13,000	130
27 3 (C)	10,600	106
27 3 (D)	10,900	109

Technical Specs

Electrical Data

Driver	120-277 VAC 50/60Hz Proprietary patented Class II Driver
Surge Protection	20kV/10kA IEEE/ANSI C136.2-2018 Location C-High

Lumen Maintenance

L70 (10,000)	>55,000 hrs
L70 (TM-21)	>100,000 hrs

Warranty

10 Years

Energy Data

Power Factor	>99%
THD	<10% at 120 VAC <20% at 277 VAC
Off-state Power	<1/2W
Driver Lifetime	>100,000 hrs
Temperature	Ambient Min -40°C Ambient Max 50°C

Certification Data

UL 1598 Met Labs	
IP66 IEC 60598-1	
ASTM D2247-6	Humidity
FM 4473	Hail Impact Resistance
ANSI C136.31-2018	Level 2 3G Bridge/Overpass



All AreaMax are listed on the DLC QPL. For a list of DLC Premium vs Standard, please visit: designlights.org/qpl.

Evluma makes one thing: Utility-grade outdoor LED lighting solutions

From heat management, to light quality, to integrated controls, we've been solving the biggest challenges in LED for over two decades. We help cities, municipalities and utility providers evolve their lighting infrastructure to meet the needs of tomorrow.

TP-0047 REV A05



3600 Lind Avenue SW Suite 140
Renton WA 98057
425-336-5800 www.evluma.com