

AREAMAX™ LIGHT TRESPASS SHIELD

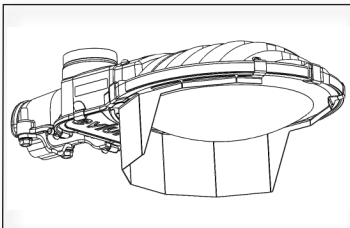
ACCESSORY

COMPATIBLE WITH AREAMAX LED LUMINAIRES

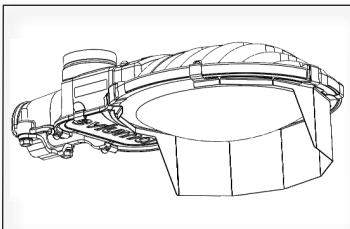
DESCRIPTION

Prevent light trespass and control backlight/sidelight with the AreaMax Light Trespass Shield (LTS). A light trespass shield is an attractive way to shape light by directing and reflecting light only where you want it. Compatible with all current* models of AreaMax LED luminaires.

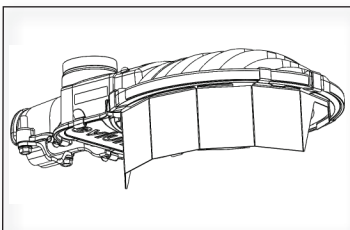
AMAX-LTS



House-side shield placement



Alternate 90° left and right side shield placement



Construction & Finish

Unpainted 22 gauge stainless steel.

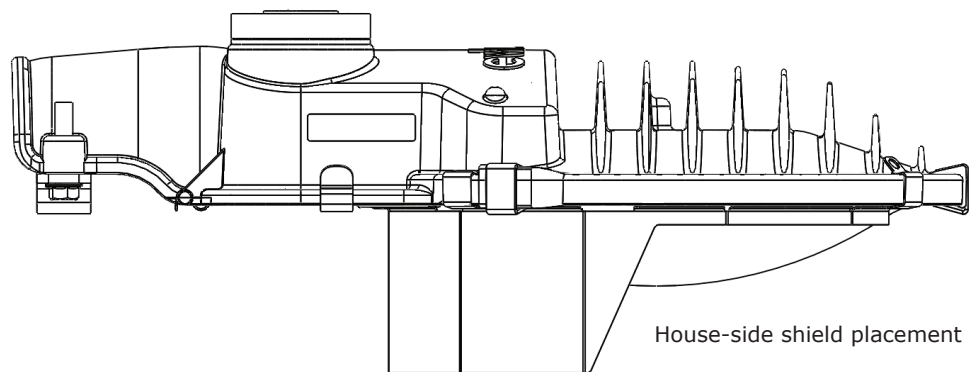
Installation

Simply clip the shield onto the AreaMax housing in one of three positions (see left) and fasten the front with a stainless steel, long-life strap (included). Disconnect all power before installing.

Options

A single shield may be placed in one of three positions to reduce glare or prevent light trespass. Placed to the back of the AreaMax the shield acts like your typical house-side shield if the AreaMax is placed along a residential street. Choose 90° left or right side shield placements to address specific environmental lighting requirements.

AreaMax with S3 - 3 pin socket



*shipped after 10/2014

AREAMAX™ LIGHT TRESPASS SHIELD

ACCESSORY

COMPATIBLE WITH AREAMAX LED LUMINAIRES

ORDERING INFORMATION

PRODUCT FAMILY	ACCESSORY
----------------	-----------

AMAX = AreaMax LTS = Light Trespass Shield

COMPARISON: AMAX- 70W-5K-D WITH AND WITHOUT SHIELD. HOUSE-SIDE SHIELD POSITION

Achieve a 50% reduction in backlight and a 25% amplified forward output. Modeled on Amax-70W-5K-D, scale is relative to the maximum lumen output per each model of AreaMax.

