

OMNIMAX™ LIGHT SHIELDS

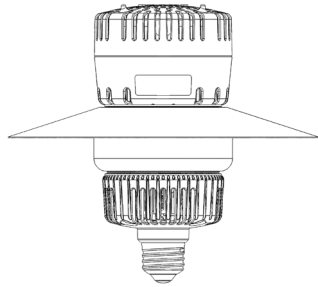
ACCESSORY

COMPATIBLE WITH OMNIMAX LED LAMPS

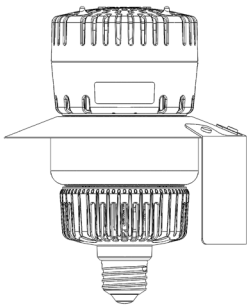
OM-LTS-KIT
OM-LTS-B1
OM-LTS-U1

DESCRIPTION

Prevent light trespass and control backlight/sidelight with an OmniMax shield kit. A light trespass shield is an attractive way to recycle light by directing and reflecting light only where you want it. These snap-on shields are easy to attach and are compatible with all OmniMax models.



OmniMax with shield



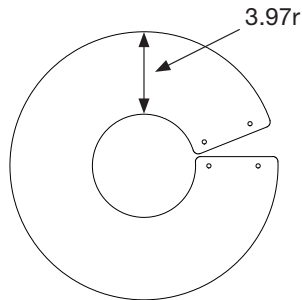
OmniMax with house side shield assy

Construction & Finish

99% reflective microcellular PET. High wavelength reflection ratio guarantees brightness. Die cut, .21mm thick. UL94-HBF. Molded nylon fasteners.

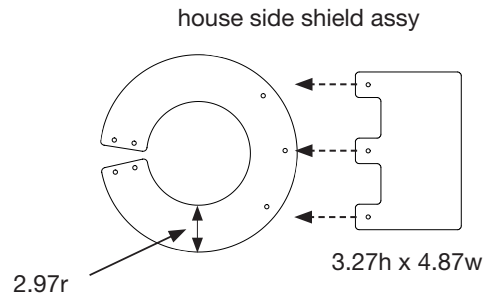
Options

Minimize uplight with the large uplight shield or moderate backlight with the house side shield assembly (some assembly required). Installing lights in a variety of locations? Choose a kit to adapt light output on-the-fly.



uplight shield

Kit contains all three pieces.
All measurements in inches.



Ordering Information

PRODUCT FAMILY	ACCESSORY	STYLE
OM = OmniMax	LTS = Light Trespass Shield	KIT = all shields (B1 & U1)
		B1 = house side shield assy
		U1 = uplight shield (large)

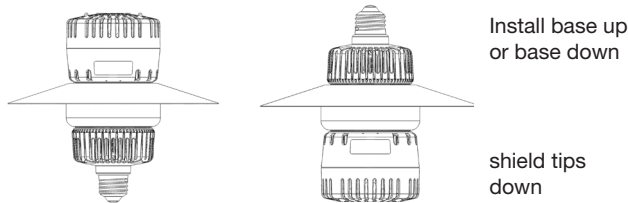
OMNIMAX™ LIGHT SHIELDS

ACCESSORY

COMPATIBLE WITH OMNIMAX LED LAMPS

Installation Instructions

Fasten the shield onto the OmniMax either before or after installation in the socket. Shield can be installed whether OmniMax is installed base up or base down. Tip shield down for optimal performance.



Installing the large shield:

1. Hold the shield with the flat tops of the fasteners facing up.
2. Place shield at the top of the optic if installing base down. Place shield at the base of the optic if installing base up (large shield only).

3. Curve the shield until the two straight edges meet. Snap edges together with fasteners.

Installing the house side shield:

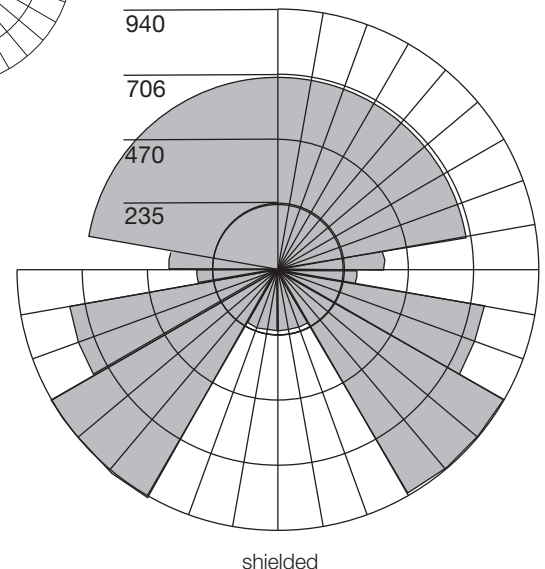
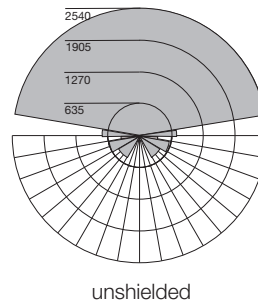
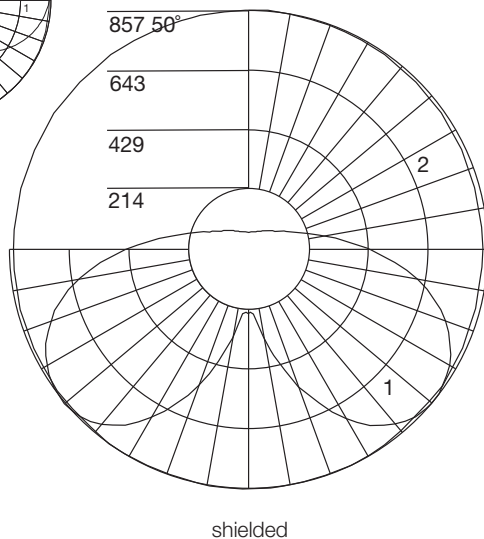
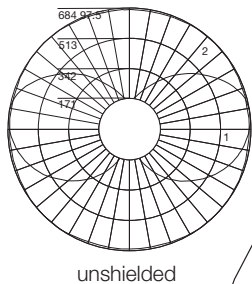
4. Attach the small shield to the OmniMax per steps 1-3.
5. Fold the tabs on the house side shield so that the flat top of the fasteners face up.
6. Align the fasteners with the three holes on the small shield.
7. Press to push the fastener through the outer holes first. Snap the center fastener into place last.
8. Rotate the shield so that the house side shield blocks light as desired.

OM-70-3K with Large Shield

B2-U5-G3 becomes B2-U4-G3

Lumen output in the UH (Uplight High) range is reduced from 40.2% to 12.6%.

Photometric files available by request. Globe: OLS-A1 in LD Acrylic. See OLS brochure for ordering information.



Polar Candela
Distributions: Vertical
Plane (1) and Horizontal
Cone (2) through
maximum candela
12820891.01.ies
12851094.01.ies