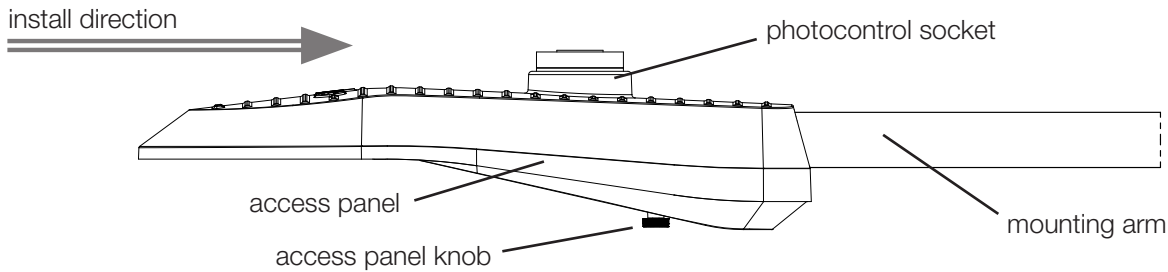


ROADMAX® SERIES LUMINAIRES



ROADMAX RX1 INSTALLATION INSTRUCTIONS



PLEASE READ AND FOLLOW ALL SAFETY INSTRUCTIONS!

**VEUILLEZ LIRE ET RESPECTER
TOUTES LES CONSIGNES DE SÉCURITÉ !**

Disconnect power before wiring the fixture. High voltage may be present even when the photocontrol is removed.
If not qualified, consult an electrician.



Débranchez l'alimentation avant de câbler le luminaire. Une haute tension peut être présente même lorsque le photocontrôle est retiré. Si vous n'êtes pas qualifié, consultez un électricien.

Verify that supply voltage is correct. RoadMax RX1 operates at 120-277 VAC, 1.0A 60 Hz current.

Do not exceed maximum voltage marked on luminaire label.

LED luminaires should be powered directly from a switched service unless specification indicates otherwise. Do not connect directly to control devices, such as occupancy sensors, timing devices or dimmer packs.

Follow all National Electrical Codes (NEC) and any applicable local code requirements for electrical and grounded connections. Wiring connections should be capped with UL listed or recognized connectors.

Wear gloves and safety glasses when removing luminaire from carton, during installation, or while performing maintenance.

Avoid direct eye exposure to an LED light source while in operation.

Vérifier que la tension d'alimentation est correcte. Le RoadMax RX1 fonctionne à 120-277 VAC, 1,0A 60 Hz.

Ne pas dépasser la tension maximale indiquée sur l'étiquette du luminaire.

Les luminaires à LED doivent être alimentés directement à partir d'un service commuté, sauf indication contraire dans les spécifications. Ne pas les raccorder directement à des dispositifs de contrôle, tels que des détecteurs de présence, des dispositifs de temporisation ou des gradateurs.

Respectez tous les codes nationaux de l'électricité (NEC) et toutes les exigences locales applicables en matière de connexions électriques et de mise à la terre. Les connexions électriques doivent être complétées par des connecteurs répertoriés ou reconnus par l'UL.

Portez des gants et des lunettes de sécurité lorsque vous retirez le luminaire du carton, lors de l'installation ou de l'entretien.

Éviter l'exposition directe des yeux à une source lumineuse LED en fonctionnement.

PRODUCT DESCRIPTION

The RoadMax RX1 has been listed to U.S. and Canadian safety standards CSA per Met Labs. It is suitable for use in wet locations. Temperature operation range is -40°C min to 50°C max.



This device complies with Part 15 of the FCC Rules. Operation is subject to the following two conditions: (1) this device may not cause harmful interference, and (2) this device must accept any interference received, including interference that may cause undesired operation.

This luminaire is designed for outdoor lighting purposes. It should not be used in an area with limited ventilation or an enclosed area with a high ambient temperature. Store in a dry location prior to installation. Do not expose luminaire to the weather without a shorting cap or photocontrol installed unless the luminaire has been ordered with the Evluma integrated photocontrol.

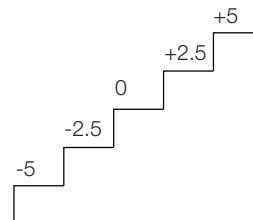
TOOLS REQUIRED

- 1/2 inch drive socket, or box wrench for tenon bolts
- #2 Phillips screwdriver for photocontrol socket, or photocontrol
- 5/16 inch drive socket, or 1/4 inch slotted screwdriver for lens, or shields
- 1/4 inch slotted screwdriver for conductive wires

ROADMAX RX1 INSTALLATION INSTRUCTIONS

If you are installing a secondary lens or light trespass shields, attach to the luminaire prior to hanging the luminaire. Please see the separate instructions for installing these accessories in the field. Installing a photocontrol, steps 8 and 9 may be easier to perform on a workbench than on a pole. Likewise, setting the FAO (Field Adjustable Output switch), step 7, can be done in advance, prior to installation.

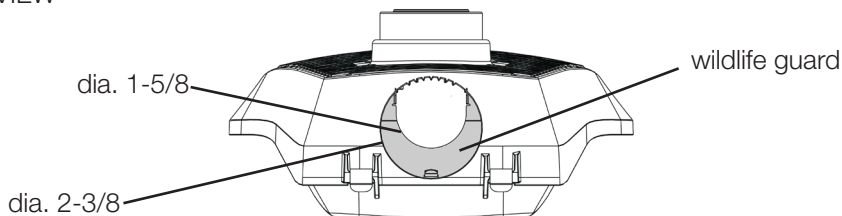
1. Disconnect the power to the luminaire.
2. Open the access panel using the access panel knob by rotating approx. 2 turns. Panel will hang securely.
3. Using the 1/2 inch drive socket, loosen (do not remove) the two tenon clamp bolts enough to allow the mounting arm (not included) to slide into the service cavity. Mounting arm should be placed upon or 'stopped' against the leveling steps. Use caution and avoid striking internal components with the mounting arm. Leveling steps are designed to be used in conjunction with the bubble level to install the luminaire in a straight or level position.



Leveling steps are +/- 5° tilt: +5, +2.5, 0, -2.5, -5 degrees.

4. RoadMax RX1 accepts mounting arms with a maximum outside diameter of 1-5/8 & 2-3/8 inch. Luminaire is set at the factory to accept 1-1/4 inch mounting arm.

REAR VIEW



Note: A wildlife guard is provided for use with a 1-1/2 inch diameter mounting arm. If using a mounting arm larger than 1-1/2" remove the wildlife guard. See instructions for Installing or Removing the RoadMax Wildlife Guard.

ROADMAX RX1 INSTALLATION INSTRUCTIONS

5. Tighten the bolts to 75 in-lbs, alternating from bolt to bolt. Refrain from tilting the clamp or unevenly tightening the bolts to avoid cross-threading.
6. Pull the wires through the mounting arm. Allow for enough length to easily attach to the three-position terminal block. Loosen the terminal block screws prior to connecting wires. Use 1/4 inch slotted screwdriver for securing conductive wires in the terminal block, torque to 15 in-lbs.

- a. Connect the green wire, or ground, to the terminal block at the GND location
- b. Connect the black wire, or hot, to the terminal block at the L1 location
- c. Connect the white wire, or neutral, to the terminal block at the L2(N) location

Note: A reference wiring diagram can be found inside the access panel. RoadMax RX1 is sold with pigtail options. Exact steps may vary depending on if pigtails (white and black wires) are sold with the luminaire vs. a no pigtail option.

7. If you have ordered a luminaire with an FAO (Field Adjustable Output switch) installed and you intend to use this to set a lower wattage, do so at this time if you have not done so already. Please refer to the RX1 datasheet PN-101047-001 for details. Datasheet is available on evluma.com.
8. Rotate the photocontrol socket if position requires adjustment. By default, North is oriented to the front of the luminaire. Use a #2 Philips screwdriver for photocontrol socket or photocontrol only if rotation is required. Torque to 25 in-lbs.
9. Insert a twist lock photocontrol (not provided) or network node (not provided) into the photocontrol socket and install in accordance with the manufacturer's instruction.
10. Close the access panel. Tighten the access panel knob. Do not over tighten.
11. With power on, test the photocontrol.

Note: Photocontrols and photocontrol test response times may vary. Some photocontrols may turn the light off and on over the first few minutes after power is applied. This does not indicate a defect. A defective photocontrol will operate with the light on at all times regardless of the time of day. Allow several minutes for the photocontrol to turn the fixture off. A small number of photocontrols fail off. Test according to the type of photocontrol in use.

If the luminaire comes with the Evluma integrated photocontrol, "XP" model, allow up to 5 seconds for the luminaire to respond.

PHOTOCONTROL FAILSAFE

RoadMax with Photocontrol Failsafe will flash once to indicate that power is connected, and luminaire is in operation. RoadMax begins collecting data immediately. Short daytime tests of the photocontrol will not affect data gathering.

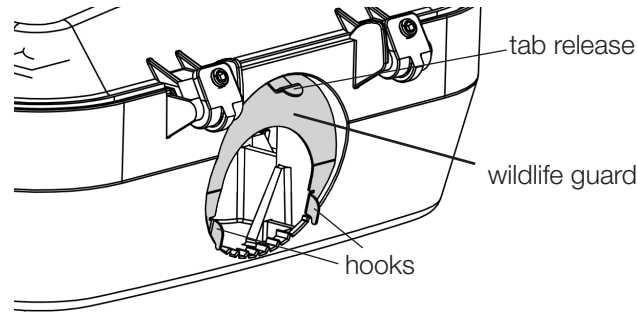
WARRANTY

Warranty information may be found at evluma.com. Components inside the fixture are not serviceable.

NEED ASSISTANCE?

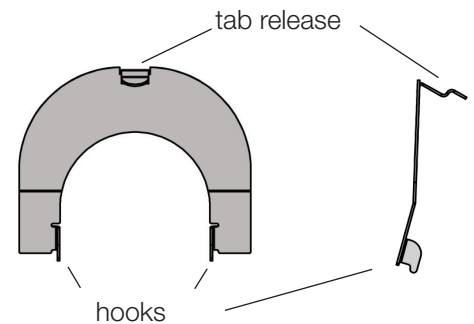
Please feel free call us at 425-336-5800 M-F, 8pm- 4pm PST, or email customer care@evluma.com.

RoadMax tenon clamps accept 2" or 1-1/4" diameter arms. All RoadMax luminaires ship with the wildlife guard installed. The wildlife guard is designed to prevent wildlife from entering the housing through the gap between the housing and the mounting arm. If you know you will be using a larger diameter mounting arm, you may wish to remove the wildlife guard prior to installing the luminaire on the pole. The following instructions show removal being performed on a workbench.



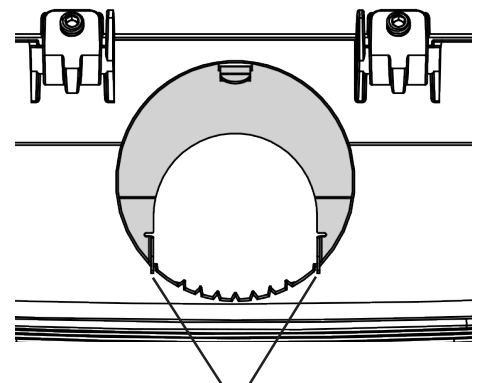
To Remove the Wildlife Guard

1. Open the access panel until it rests on the workbench. Locate the wildlife guard at the back of the luminaire.
2. Press down on the tab release and let the guard fall against the tenon clamp.
3. Lift the guard up so that the hooks clear the housing, then pull up to remove from the luminaire. Save for later use if needed.



To Install the Wildlife Guard

1. Open the access panel until it rests on the workbench.
2. Insert the wildlife guard between the tenon clamp and the housing.
3. Align the wildlife guard with the mounting arm hole in the housing.
4. Angle the guard so that the hooks catch the housing. Each hook should rest next to the outermost set of teeth.
5. Press down on tab release until it clears the housing. Push the guard against the housing and snap it into place. The tab release should spring back up and hold the guard in place.



Align the hooks with the outermost set of teeth in the mounting arm hole

Part Number Reference

A wildlife guard comes with every RoadMax. Should a replacement be required, please reference the following part numbers:

- 100813-001 GUARD, STEEL, GALVANIZED, ROADMAX
- 100813-002 GUARD, COASTAL, ROADMAX