

AREAMAX™ LIGHT TRESPASS SHIELD

AMAX-LTS INSTALLATION GUIDE

ACCESSORY. COMPATIBLE WITH AREAMAX LED LUMINAIRES

KIT INCLUDES:

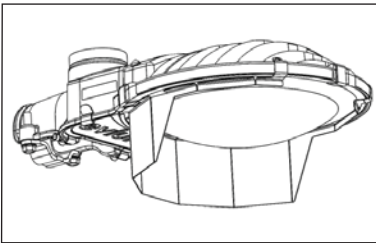
- (1) shield
- (2) zip-tie
- (1) installation guide.

Prevent light trespass and control backlight/sidelight with the AreaMax Light Trespass Shield. Compatible with all current* models of AreaMax LED luminaires the light shield can be installed in three different positions: house-side, left-side and right-side.

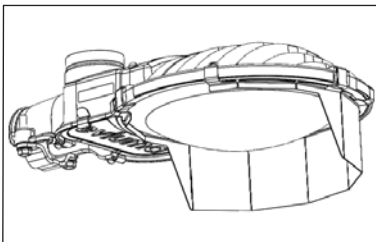
SHIELD CAN BE INSTALLED IN 1 OF 3 POSITIONS.

All 4 clips must make secure contact with the AreaMax.

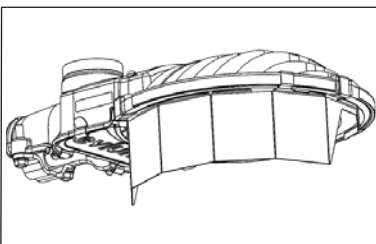
NOTE: Shield clips should always span to both sides of the access panel. No tabs should block the panel.



House-side shield placement



Alternate 90° left and right side shield placement



1. Locate the zip-tie and thread through the round holes in the front tabs of the shield.

2. Position "front" of shield so that the zip-tie is on top of the lamp. Figure 1.

3. Pivot shield back to locate the rear-most clips.

4. Clip in rear-most clips, then position front-most clips and clip in place. Figure 2.

4. Pull free end of zip-tie tight while pushing front clips toward each other.

5. Fasten zip-tie and trim excess. Figure 3. Step 5.

*shipped after 10/2014

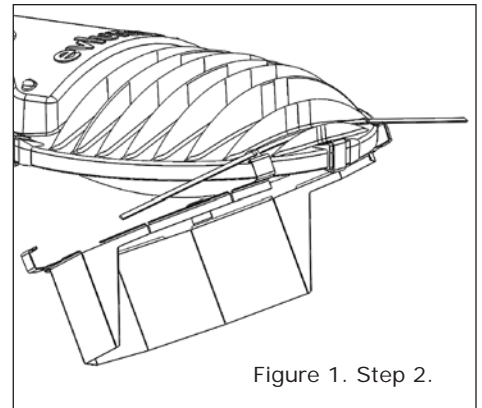


Figure 1. Step 2.

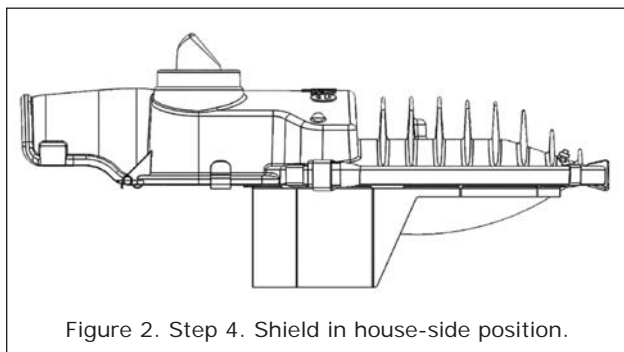
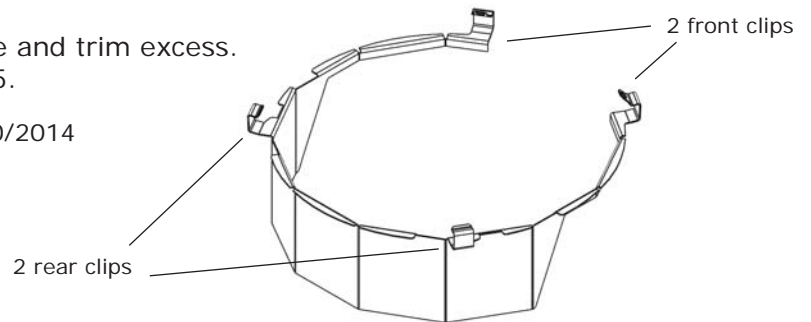


Figure 2. Step 4. Shield in house-side position.

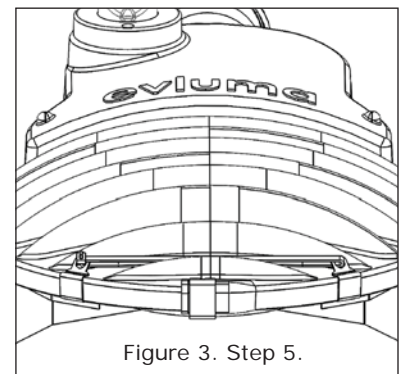


Figure 3. Step 5.