

EVLUMA OMNIMAX™ INSTALLATION GUIDE

LED DECORATIVE LUMINAIRE RETROFIT
40W or 70W REPLACES HID BULBS 100-175W

OMNI 40
OMNI 70

Applicable Products

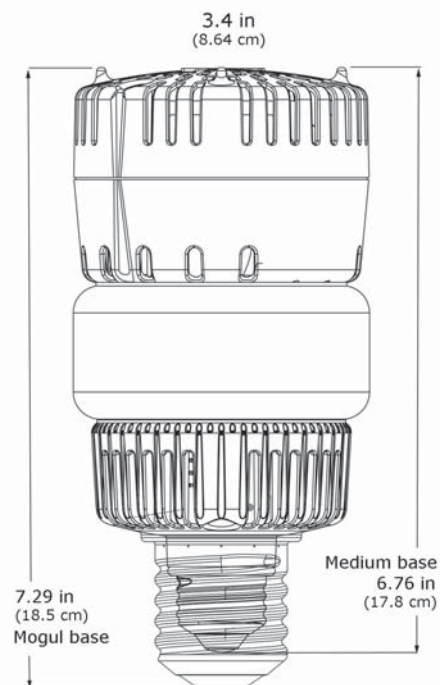
OMNI-40-2K-ME/MO	40W 2000K	OMNI-70-2K-ME/MO	70W 2000K
OMNI-40-3K-ME/MO	40W 3000K	OMNI-70-3K-ME/MO	70W 3000K
OMNI-40-4K-ME/MO	40W 4000K	OMNI-70-4K-ME/MO	70W 4000K
OMNI-40-5K-ME/MO	40W 5000K	OMNI-70-5K-ME/MO	70W 5000K

Retrofit Kit Contents

- (1) LED retrofit lamp
- (1) Fixture label
- (1) Installation guide

Fixture Requirements

Input Voltage:	120–277VAC
Frequency:	50/60Hz
Socket Base:	E26 (medium) or E39 (mogul)
Fixture Minimum Inside Dimensions:	6.25" H x 4.0" W (medium base) 6.75" H x 4.0" W (mogul base)
Orientation:	Lamp can be mounted in any static orientation.
Photocontrols:	If the socket is controlled by a photocontrol, it must be of a "Fail ON" type for the OmniMax Photocontrol Failsafe™ feature to operate.
Operating Ambient Temperature:	-40°C - +40°C








SUITABLE FOR DAMP LOCATIONS.
DAPTÉ POUR ENDROITS HUMIDES.



This device complies with Part 15 of FCC Rules. Operation is subject to the following two conditions: (1) this device may not cause harmful interference, and (2) this device must accept any interference received, including interference that may cause undesired operation.

PLEASE READ ALL INSTRUCTIONS BEFORE ATTEMPTING INSTALLATION

-  **WARNING** - Risk of fire or electric shock. LED Retrofit Kit installation requires knowledge of luminaire electrical systems. If not qualified, do not attempt installation. Contact a qualified electrician.
-  **WARNING** - When installing LED retrofit lamps within HID fixtures, ballast must be bypassed when present.
-  **WARNING** - To avoid electric shock or component damage, disconnect power before attempting installation or servicing.
-  **WARNING** - Do not make or alter any open holes in an enclosure of wiring or electrical components during kit installation.
-  **WARNING** - To prevent wiring damage or abrasion, do not expose wiring to sharp edges of housing or other sharp surface.

EVLUMA OMNIMAX™ INSTALLATION GUIDE

LED DECORATIVE LUMINAIRE RETROFIT
40W or 70W REPLACES HID BULBS 100-175W

OMNI 40
OMNI 70

This product is intended to be installed in outdoor, ballast-based HID luminaire that have been appropriately modified. The following fixtures are representative examples of the types of fixtures appropriate for OmniMax.

Acorn & Globe types: King K400 Series, Lexalite Lindy Model 424, GE Patriarch, Holophane GV Washington PostLite
Lantern types: Architectural Area Lighting Civic Lantern Series, Acuity Lighting TR25
Teardrop & Bullet types: Holophane Port Huron, HE Williams OGL Series, Acuity Lighting (Antique Street Lamps) CM

Installation Instructions

Be careful to grip the bulb only on the upper or lower plastic housing. Avoid gripping the bulb on the soft diffuser in the center at all times.

Step 1 – Disconnect electrical power to fixture and remove existing bulb.

Step 2 – Remove or wire past the installed ballast in the fixture.

Step 3 – Connect the two power leads from the source directly to corresponding leads on the lamp socket. NOTE: The bulb screw housing of the socket shall be connected to neutral wire (white or gray) of the power leads.

Step 4 – Thread the retrofit LED bulb into the screw housing of the socket. Tighten only until snug in the socket. CAUTION: Applying excessive torque can damage the retrofit LED bulb or fixture socket.

Step 5 – Apply the supplied adhesive label to the inside of the fixture where it will be visible for future re-lamping.

Step 6 – Turn on electrical power to the fixture.

