

# ROADMAX RX1

## SECONDARY LENS INSTALLATION INSTRUCTIONS

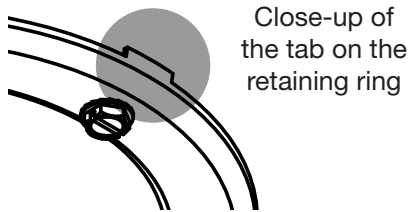


### Installing the LENS G1 over the primary optic

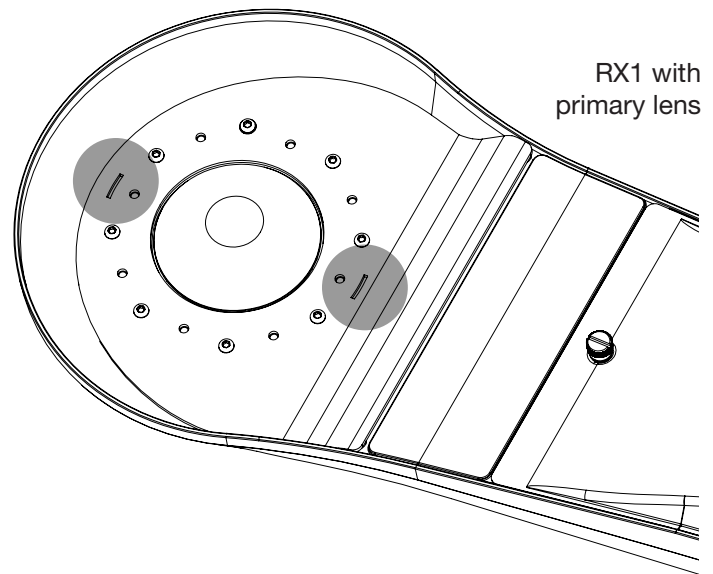
A secondary lens can be installed on the RX1 to provide additional glare control. This lens is available installed from the factory, or as an accessory that can be installed at a later date. Please see the RoadMax datasheet for ordering information and color choices. The lens may be installed with the luminaire on a workbench, or in the field after the luminaire itself has been hung. The ring retainer for the lens is shipped with captive screws. The following instructions are for installation on a workbench.

Tools Required: 5/16" socket driver, or 1/4" flat head screwdriver. Use of a socket driver recommended.

- A. Place the RoadMax on a flat surface with the lens side facing up.
- B. Locate the two indexing slots in the housing just to the front and back of the primary lens.
- C. Line up the matching tabs on the retaining ring with the indexing slots on the luminaire and set down over the primary lens. Lens should sit against the surface of the luminaire and should be held in position by the retaining ring. Screws should be aligned with available screw holes accordingly.

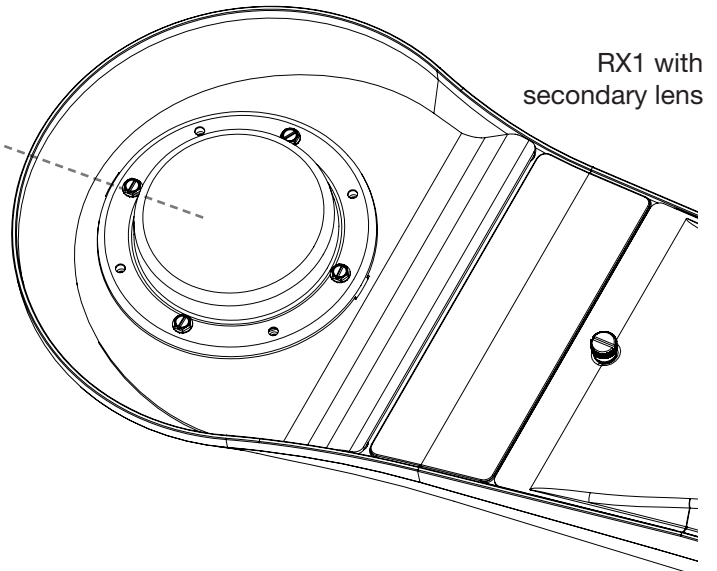
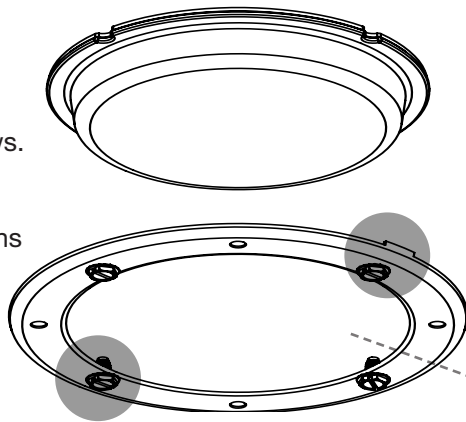


Close-up of the tab on the retaining ring



RX1 with primary lens

LENS G1 is an acrylic lens plus retaining ring with four captive screws. Retaining ring is used to securely hold the acrylic lens in position.



RX1 with secondary lens

- D. With the secondary lens and retaining ring held in position by the tabs, attach the captive screws. Alternate tightening to avoid cross threading. 25 in-lbs recommended. Do not over tighten.