

# ROADMAX® RX2



## LIGHT TRESPASS SHIELD INSTALLATION INSTRUCTIONS OVER PRIMARY OPTIC

Install the RX2 LTS1 house-side shield, large, over the primary optic, steps A and B.  
Install the RX2 LTS2 front-side shield, small, over the primary optic, step A and C.

The light trespass shields can be installed with the luminaire on a workbench, or in the field after the luminaire has been installed. Shields are shipped with captive screws. Please see the RoadMax datasheet for ordering information and color choices. The following instructions are for installation on a workbench.

### Tools Required

- 5/16" socket driver, or 1/4" flat head screwdriver.  
Socket driver recommended.

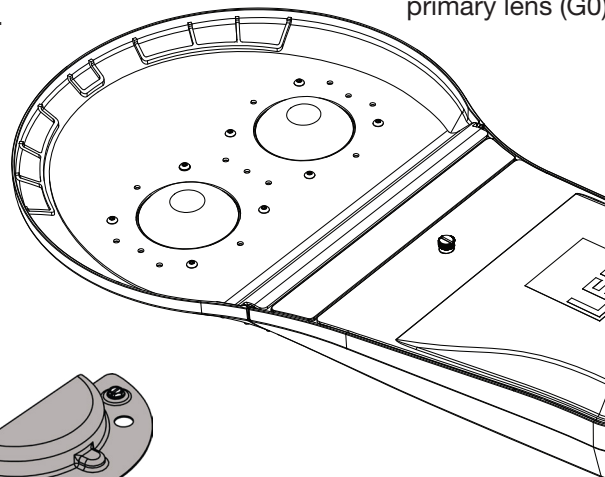
A. Place the RoadMax RX2 on a flat surface with the lens side facing up.

B. Install the RX2 LTS1 over the primary optic in the house-side position. Once in position, attach using the captive screws. Alternate tightening to avoid cross threading. 25 in-lbs recommended. Do not over tighten.

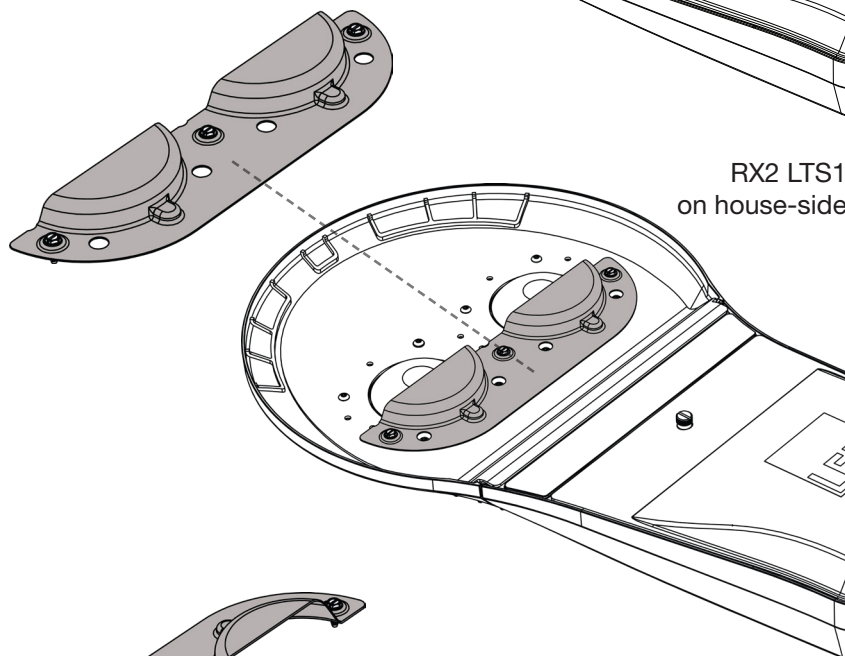
C. Install the RX2 LTS2 over the primary optic in the front-side position. Once in position, attach using the captive screws. Alternate tightening to avoid cross threading. 25 in-lbs recommended. Do not over tighten.

**Note:** The RX2 LTS1 and LTS2 are designed so that they can be installed in the front-side or house-side position depending on the amount of cut-off desired. Holes have been added to the shield design to clear existing screws if the RX2 is ordered in the G0 configuration with no secondary lens installed. In the G1 configuration these screws are covered by the bezel.

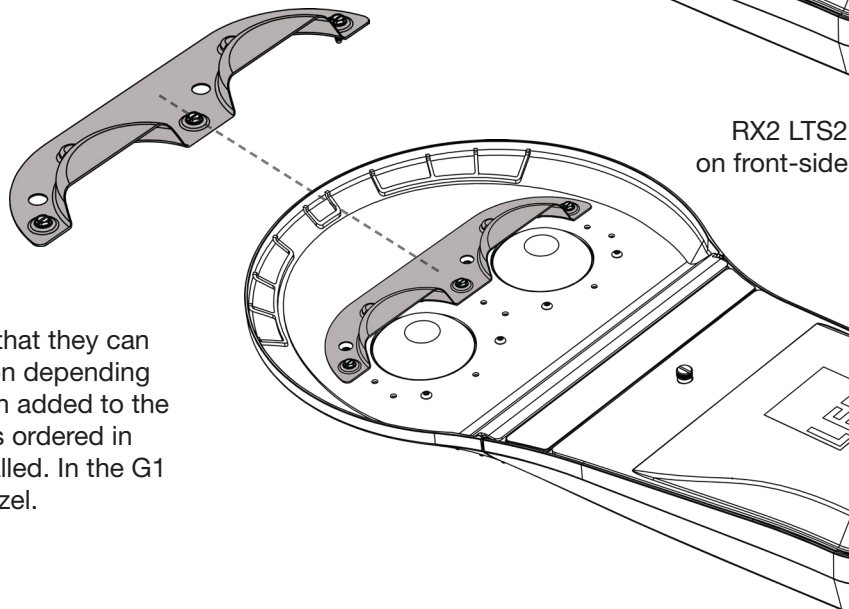
RX2 with  
primary lens (G0)



RX2 LTS1  
on house-side



RX2 LTS2  
on front-side



# ROADMAX® RX2



## LIGHT TRESPASS SHIELD INSTALLATION INSTRUCTIONS OVER SECONDARY OPTIC (GLARE CONTROL)

Install the RX2 LTS1 house-side shield, large, over the secondary optic, steps A and B.  
Install the RX2 LTS2 front-side shield, small, over the secondary optic, step A and C.

The light trespass shields can be installed with the luminaire on a workbench, or in the field after the luminaire has been installed. Shields are shipped with captive screws. Please see the RoadMax datasheet for ordering information and color choices. The following instructions are for installation on a workbench.

### Tools Required

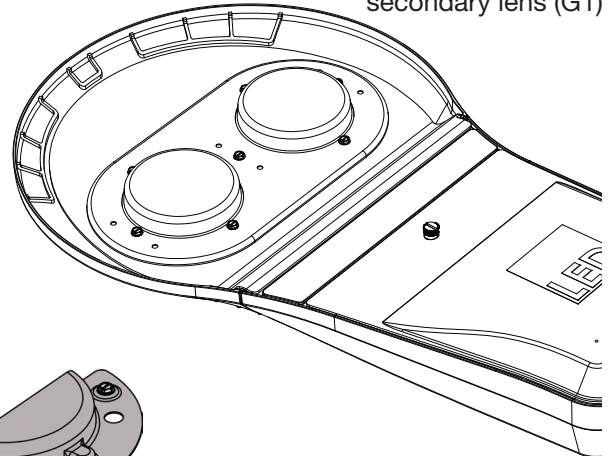
- 5/16" socket driver, or 1/4" flat head screwdriver.  
Socket driver recommended.

A. Place the RoadMax on a flat surface with the lens side facing up.

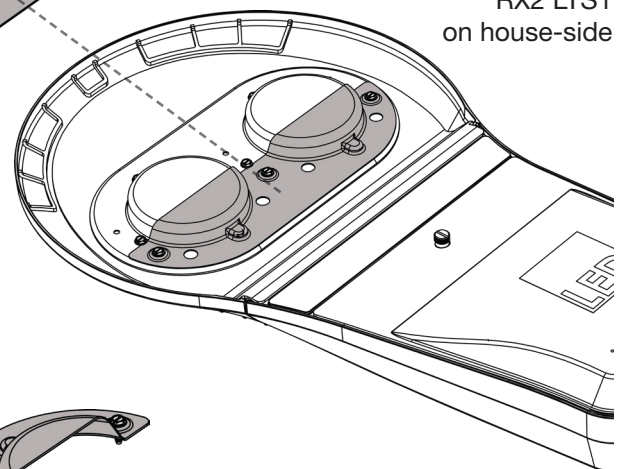
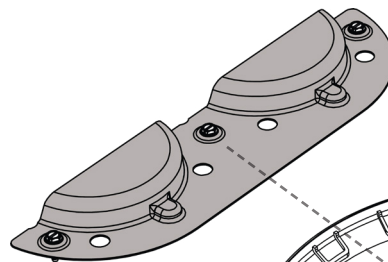
B. Install the RX2 LTS1 over the secondary optic in the house-side position. Once in position, attach using the captive screws. Alternate tightening to avoid cross threading. 25 in-lbs recommended. Do not over tighten.

C. Install the RX2 LTS2 over the secondary optic in the front-side position. Once in position, attach using the captive screws. Alternate tightening to avoid cross threading. 25 in-lbs recommended. Do not over tighten.

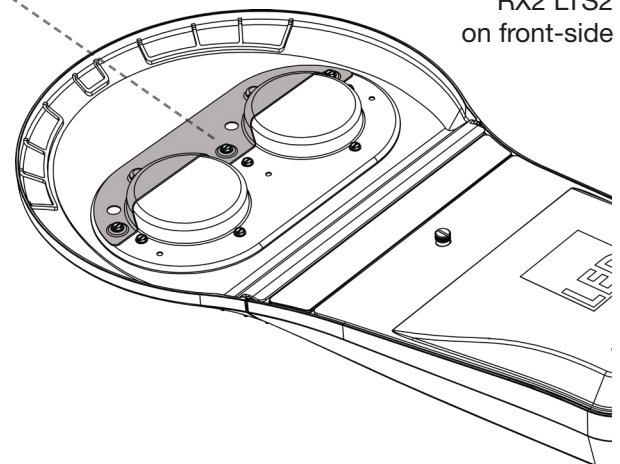
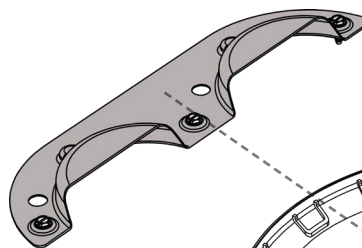
RX2 with  
secondary lens (G1)



RX2 LTS1  
on house-side



RX2 LTS2  
on front-side



**Note:** The RX2 LTS1 and LTS2 are designed so that they can be installed in either the front-side or house-side position depending on the amount of cut-off desired. Holes have been added to the shield design to clear existing screws if the RX2 is ordered in the G0 configuration with no secondary lens installed. In the G1 configuration these screws are covered by the bezel.