

ROADMAX[®] RX3



LIGHT TRESPASS SHIELD INSTALLATION INSTRUCTIONS OVER PRIMARY OPTIC

Install the RX3 LTS1 house-side shield, large, over the primary optic, steps A and B.
Install the RX3 LTS2 front-side shield, small, over the primary optic, step A and C.

The light trespass shields can be installed with the luminaire on a workbench, or in the field after the luminaire has been installed. Shields are shipped with captive #10 hex head screws. Please see the RoadMax RX3 datasheet for ordering information and color choices. The following instructions are for installation on a workbench.

Tools Required

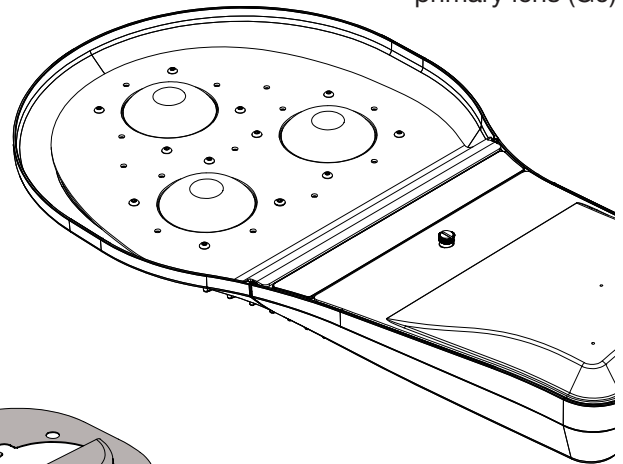
- 5/16" socket driver, or 1/4" flat head screwdriver.
Socket driver recommended.

A. Place the RoadMax RX3 on a flat surface with the lens side facing up.

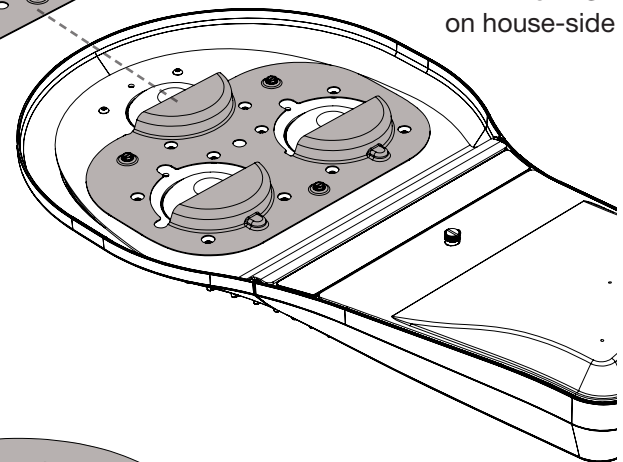
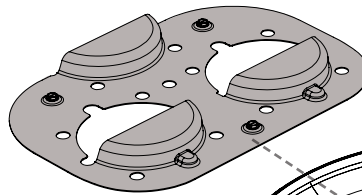
B. Install the RX3 LTS1 over the primary optic in the house-side position. Once in position, attach using the captive screws. Alternate tightening to avoid cross threading. 25 in-lbs recommended. Do not over tighten.

C. Install the RX3 LTS2 over the primary optic in the front-side position. Once in position, attach using the captive screws. Alternate tightening to avoid cross threading. 25 in-lbs recommended. Do not over tighten.

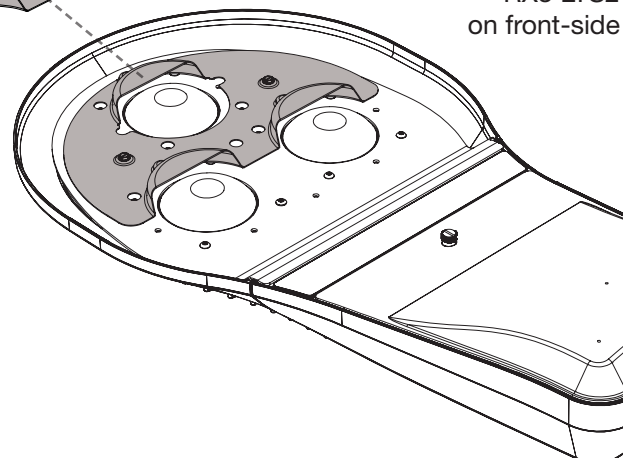
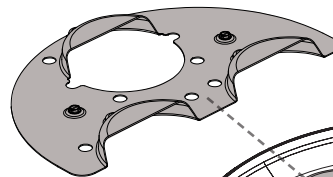
RX3 with
primary lens (G0)



RX3 LTS1
on house-side



RX3 LTS2
on front-side



ROADMAX[®] RX3



LIGHT TRESPASS SHIELD INSTALLATION INSTRUCTIONS OVER SECONDARY OPTIC (GLARE CONTROL)

Install the RX3 LTS1 house-side shield, large, over the secondary optic, steps A and B.
Install the RX3 LTS2 front-side shield, small, over the secondary optic, step A and C.

The light trespass shields can be installed with the luminaire on a workbench, or in the field after the luminaire has been installed. Shields are shipped with captive #10 hex head screws. Please see the RoadMax RX3 datasheet for ordering information and color choices. The following instructions are for installation on a workbench.

Tools Required

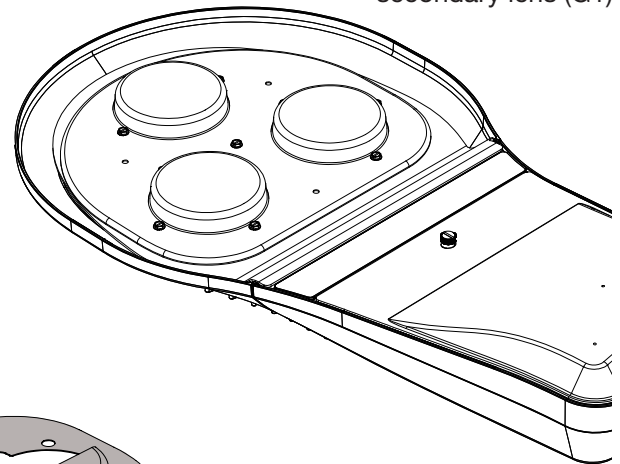
- 5/16" socket driver, or 1/4" flat head screwdriver.
Socket driver recommended.

A. Place the RoadMax on a flat surface with the lens side facing up.

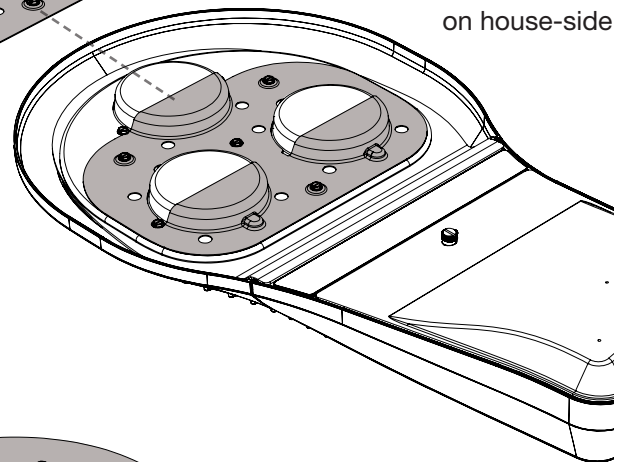
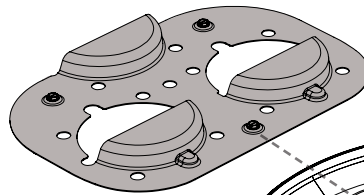
B. Install the RX3 LTS1 over the secondary optic in the house-side position. Once in position, attach using the captive screws. Alternate tightening to avoid cross threading. 25 in-lbs recommended. Do not over tighten.

C. Install the RX3 LTS2 over the secondary optic in the front-side position. Once in position, attach using the captive screws. Alternate tightening to avoid cross threading. 25 in-lbs recommended. Do not over tighten.

RX3 with
secondary lens (G1)



RX3 LTS1
on house-side



RX3 LTS2
on front-side

