

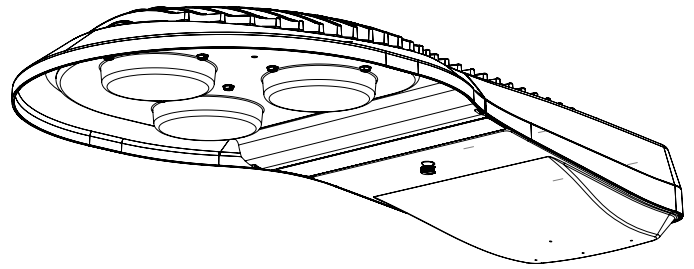
ROADMAX® RX3

SECONDARY LENS INSTALLATION INSTRUCTIONS



Installing the RX3 LENS G1 over the primary optic

Secondary lenses can be installed on the RX3 to provide additional glare control. Lenses are available installed from the factory, or as an accessory that can be installed at a later date. Please see the RoadMax RX3 datasheet for ordering information and color choices.

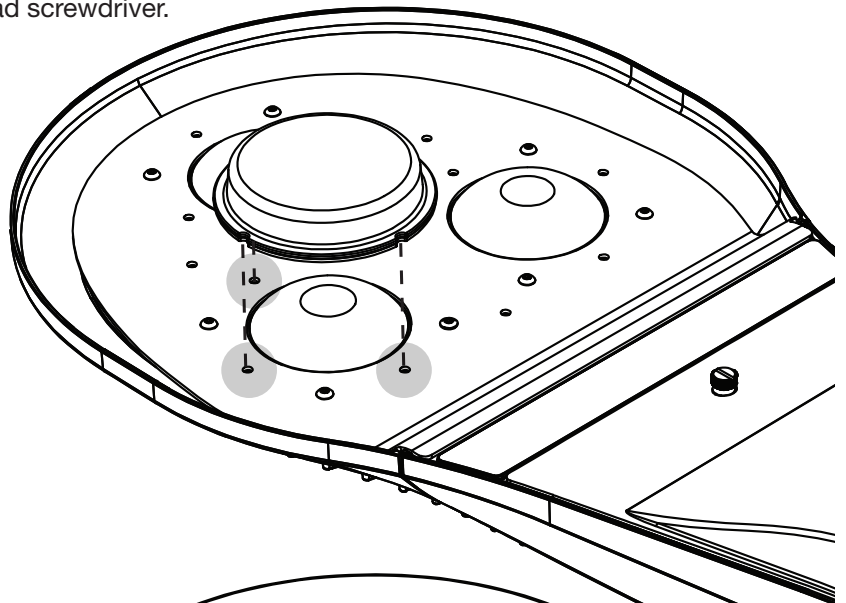


RX3 with RX3 LENS G1 Installed

When ordered separately the bezel for the lenses is shipped with captive #10 hex head screws. Installing the lenses with the luminaire on a workbench is recommended, prior to installing the luminaire in the field. The following instructions are for installation on a workbench.

Tools Required: 5/16" socket driver, or 1/4" flat head screwdriver.
Use of a socket driver recommended.

- A. Place the RoadMax on a flat surface with the lens side facing up.
- B. Take the three acrylic secondary lenses and line each up with the three outermost, empty screw holes.



- C. Place the metal bezel over the lenses and align the center screw to the empty screw hole between the lenses accordingly. The metal bezel will hold the lenses in place and flat against the luminaire.
- D. With the metal bezel in place begin to fasten the ten captive screws. Alternate tightening to avoid cross threading. 25 in-lbs recommended. Do not over tighten.

