

# ROADMAX RX1

Evluma's Next Generation Roadway Luminaire  
LED ROADWAY LIGHTING

## Applications:

Residential streets &  
local roadways, parking lots,  
campuses, industrial parks.

**RX1 Wattage Range: 30-70W**

**RX1 Lumen Range: 3,090-8,600 lumens**



RoadMax RX1 delivers high-performance roadway distributions coupled with exceptional glare control. This sleek, utility-grade luminaire is easily configurable to meet a multitude of application requirements.

## Replaces 70W-150W HID

The RoadMax RX1 is a single light engine luminaire with a lumen output ranging from 3,090 – 8,600 lumens and wattages ranging from 30 – 70 watts. Lumen output and wattage can be changed in the field through your choice of optional manual or wireless controls.

## Construction & Finish

Cast aluminum housing with TGIC-free, polyester powder-coat in a variety of colors. Hinged tool-less access panel for wiring access. Stainless-steel, 2-bolt tenon clamp and stainless-steel screws accept 2" or 1-1/4" diameter arm. Step adjustment of +/- 5° tilt and integral bubble level built-in. Removable wildlife shield. Coastal version with enhanced hardware available meeting 3000-hour salt spray.

## Thermal Protection

Solid aluminum housing provides excellent passive cooling for all electronics. LED & driver life is ensured by thermal management protection that limits current levels to the LEDs based on temperature. Luminaire is rated for full performance at -40°C min – 50°C max ambient temperature.

## Lumen Maintenance

L70 (10,000) >55,000

L90 (10,000) >55,000

L70 (TM21) >100,000

All calculations are pending certification testing.

## LED & Optical

High-efficacy LEDs with color temperature options of 2700 – 5000 Kelvin and CRI > 70. High-performance Type II, Type III, and Type V primary borosilicate optics rated at IP66. Factory or field-installable secondary lens available on all optics for managing glare while achieving superior pole spacing. All configurations are Zero Uplight (U0 BUG). Field-installable light trespass shields are available.

## Electrical

120-277 VAC 60 Hz auto-adjusting. Driver is Evluma-proprietary Class II with THD < 20% and PF > 0.9. 20kV/10kA surge protection per ANSI C136.2 – 2018 Extreme rating. Three-position terminal block with optional pigtails. Separate electronics compartment is rated IP66.

## Controls

Dimmable driver. 0-10V interface standard with 7-pin NEMA socket option. Manual wattage control (FAO) optional.

Premium package includes Photocontrol FailSafe™ and compatibility with the Bluetooth BLE ConnectLED™ mobile app. Can be combined with Evluma's integrated photocontrol, 3-pin, or 7-pin sockets.

## Warranty

Ten-year warranty.



# ROADMAX

## PRODUCT CONFIGURATIONS

SAMPLE NUMBER: RX1-050C3T2G0-S3HGL2-A0BN

FAMILY ID	WATTS	CCT (K)	DISTRIBUTION	LENS	PC / SOCKET / FAILSAFE
RX1 = RoadMax small	030 = 30 040 = 40 050 = 50 060 = 60 070 = 70	C7 = 2700 C3 = 3000 C4 = 4000 C5 = 5000	T2 = type II T3 = type III T5 = type V	G0= none G1= diffused glare control	S3= 3 pin socket only S7= 7 pin socket only (0-10V)  F3= S3 pin + Failsafe/CLED F7= S7 pin + Failsafe/CLED FP= Integrated P + Failsafe/CLED

HOUSING	LEADS	FEATURE CODE A	FEATURE CODE B
HG = standard gray HB = standard black HZ = standard bronze  ZG = coastal gray ZB = coastal black ZZ = coastal bronze	L0 = none L6 = 6' L1 = 10' L2 = 20'	A0 = none AF = FAO (field-adjustable wattage selector)*  *FP option (P + FailSafe) cannot be combined with the AF option (FAO)	B0 = none BN = NEMA label

### Lenses

The primary glass RX1 lenses are designed to deliver precise, evenly-distributed light with a low veiling luminance for Type II, Type III and Type V distributions.

Choose G1 to add a secondary lens made from a specially formulated LED acrylic for exceptional glare control.

### Photocontrol Sockets

All photocontrol sockets are rotatable. Wireless photocontrol not provided.

### Integrated Photocontrol (P)

Evluma's integrated photocontrol shortens installation time. This UV-resistant, polycarbonate photocontrol meets FM 4473 impact resistance.

### Photocontrol Failsafe™ (Failsafe)

Photocontrol Failsafe eliminates the need to replace failed photocontrols, saving truck-rolls. Combine this patented technology with S3, S7 sockets or the P option. Premium packaged with ConnectLED.

### ConnectLED™ (CLED)

Order the RX1 configured for compatibility with Evluma's ConnectLED app.

ConnectLED uses Bluetooth BLE technology to securely control individual luminaires. ConnectLED is available for Windows laptops, and as an Apple or Android app. Sold separately.

**Field Adjustable Wattage Selector (FAO)** Manually adjust luminaire wattage and lumen output in the field using the FAO. Seven output levels.

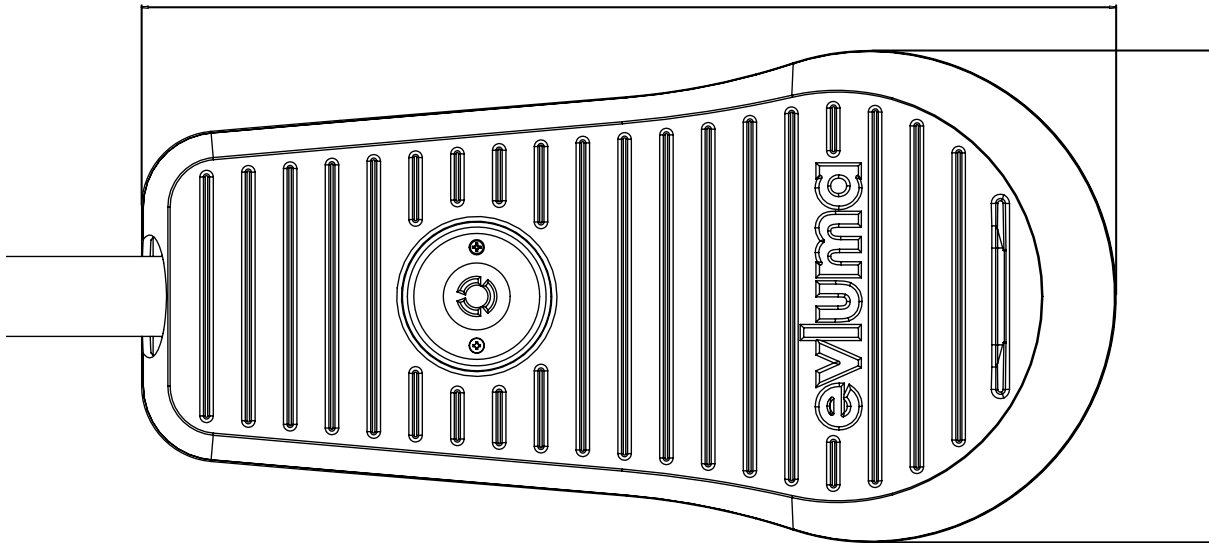
### FAO SETTINGS

SWITCH POSITION	INPUT WATTS MULTIPLIER	DELIVERED LUMENS MULTIPLIER
A	100%	100%
B	88%	90%
C	74%	78%
D	60%	65%
E	46%	52%
F	34%	40%
G	22%	26%
H	22%	26%

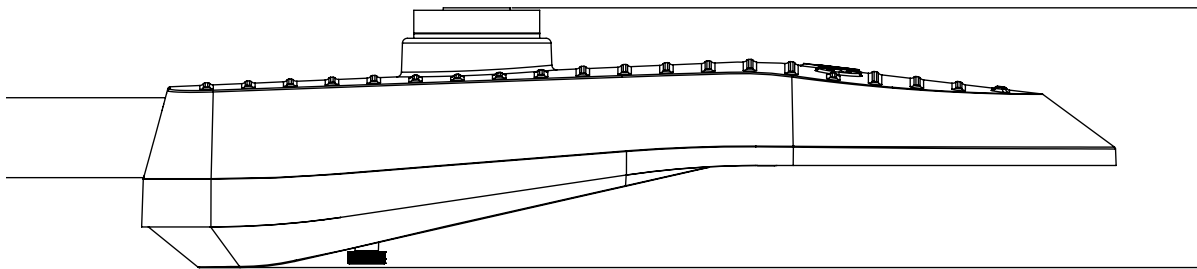
Multiply the nominal wattage and/or lumens to arrive at reduced values. Typical accuracy is +/- 10%. Select the A position if using with an S7 socket and wireless node.

## RX1 DIMENSIONS

19.81 in  
50.33 cm



10 in  
25.40 cm



5.28 in  
13.41 cm

## TECHNICAL SPECS



### Electrical Data

120-277 VAC 60 Hz.  
THD <20% 120-277 VAC  
PF >90% 120-277 VAC  
Driver Lifetime >100,000 hrs  
-40°C Min / 50°C Max Temp

### Shipping

Single unit Weight = 8lbs

LTL pallet qty 42  
FTL pallet qty 30  
FTL qty 840

### Certification Data

UL 1598. MET Labs  
IP66. IEC 60598-1  
ASTM D2247-68  
EPA under 0.5 sq ft

C136.31-2018  
Level2/3G Vibration

ANSI C136.2-2018  
20kV/10kA Surge

### Dark Sky Approved

Multiple RX1 models have received the IDA Dark Sky Seal of Approval. [darksky.org](http://darksky.org).



Models offered in 3000K (3) or 2700K (7) are IDA approved. All RX1 are U0.

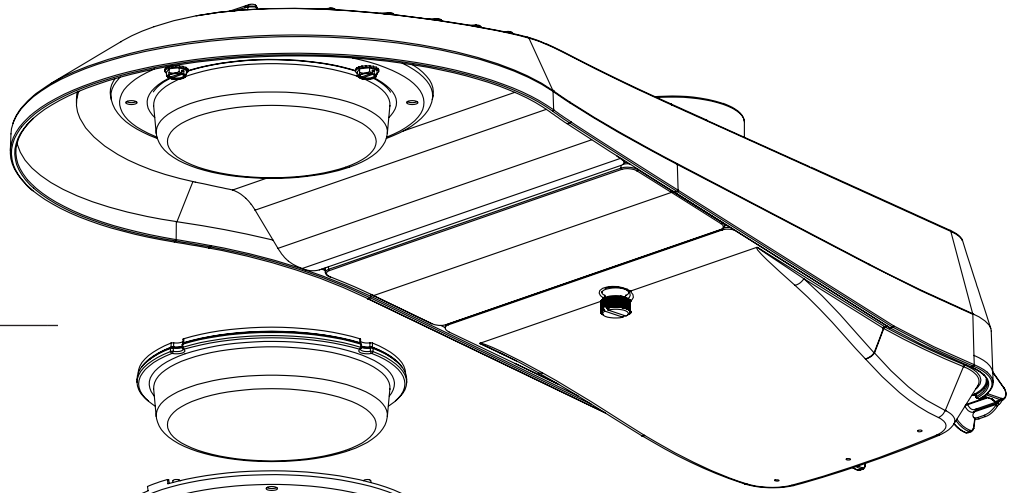
### Community Friendly Lighting (SOLA) Certified

Models offered in 3000K and 2700K measuring U0 are also CFL SOLA Certified. [volt.org](http://volt.org).



3K = 16% SPD <530nm  
27K = 17% SPD <530nm

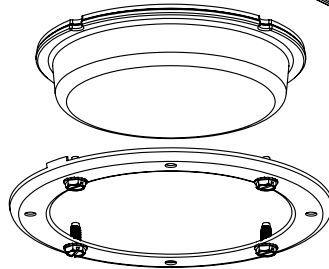
# LENS ACCESSORIES



## SECONDARY LENS FOR GLARE CONTROL

Push Veiling Luminance even lower while maintaining competitive pole spacing within RP-8-18 recommendations.

RX1 can be ordered from the factory with a secondary lens installed for additional glare control, or order separately for installation in the field at a later date.



RX-LENSG1

Prioritize glare reduction while maintaining high roadway performance.

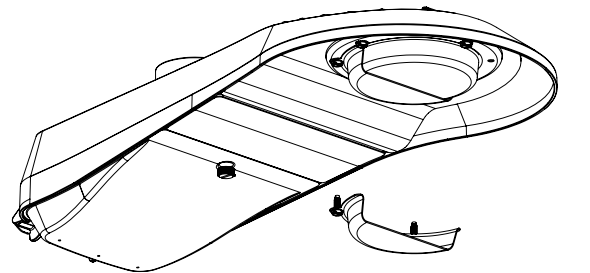
The glare control lens is made from a specially formulated optical acrylic for use with LEDs. Coastal version available. To order separately see the catalog number below.

FAMILY ID	STYLE	COLOR
RX	LENSG1 = secondary lens for glare control	HG = standard gray HB = standard black HZ = standard bronze  ZG = coastal gray ZB = coastal black ZZ = coastal bronze

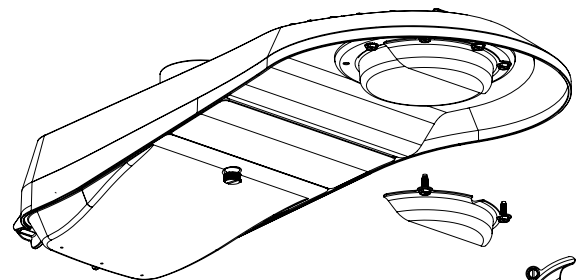
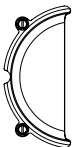
## LIGHT TRESPASS SHIELDS

Reduce light trespass and discomfort glare. Field installable shields can be mounted over primary optic or secondary lens and in any position - front, back or sides. Shields maintain No Uplight (U0) rating and add no additional EPS. Coastal version available.

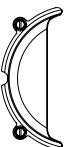
FAMILY ID	STYLE	COLOR
RX	LTS1 = house-side shield (large) LTS2 = front-side shield (small)	HG = standard gray HB = standard black HZ = standard bronze  ZG = coastal gray ZB = coastal black ZZ = coastal bronze



RX-LTS1  
house-side shield



RX-LTS2  
front-side shield



# PERFORMANCE

Nominal lumen values reported. Individual fixtures may vary +/- 10%. IES files available at [evluma.com](http://evluma.com)

WATTAGE	DISTRIBUTION Type, Lm/W & BUG	LUMENS (all CCT = >70 CRI)							
		G0 option - primary lens				G1 option - glare control			
		2700K	3000K	4000K	5000K	2700K	3000K	4000K	5000K
30	II	3460	3840	3950	3980	3090	3430	3530	3540
	Lm/W	115	128	132	133	103	114	118	118
	BUG	B1-U0-G1	B1-U0-G1	B1-U0-G1	B1-U0-G1	B1-U0-G1	B1-U0-G1	B1-U0-G1	B1-U0-G1
	III	3630	4020	4140	4160	3230	3580	3680	3700
	Lm/W	121	134	138	139	108	119	123	123
	BUG	B1-U0-G1	B1-U0-G1	B1-U0-G1	B1-U0-G1	B1-U0-G1	B1-U0-G1	B1-U0-G1	B1-U0-G1
	V	3720	4120	4240	4270	3390	3760	3860	3880
	Lm/W	124	137	141	142	113	125	129	129
40	II	4400	4890	5030	5060	3940	4370	4490	4500
	Lm/W	110	122	126	127	99	109	112	113
	BUG	B1-U0-G1	B1-U0-G1	B1-U0-G1	B1-U0-G1	B1-U0-G1	B1-U0-G1	B1-U0-G1	B1-U0-G1
	III	4610	5130	5270	5300	4110	4550	4680	4710
	Lm/W	115	128	132	133	103	114	117	118
	BUG	B1-U0-G1	B1-U0-G1	B1-U0-G1	B1-U0-G1	B1-U0-G1	B1-U0-G1	B1-U0-G1	B1-U0-G1
	V	4740	5250	5400	5440	4320	4780	4920	4950
	Lm/W	119	131	135	136	108	120	123	124
50	II	5310	5890	6060	6090	4750	5260	5410	5430
	Lm/W	106	118	121	122	95	105	108	109
	BUG	B1-U0-G1	B1-U0-G1	B1-U0-G1	B1-U0-G1	B1-U0-G1	B1-U0-G1	B1-U0-G1	B1-U0-G1
	III	5570	6170	6350	6390	4950	5490	5640	5680
	Lm/W	111	123	127	128	99	110	113	114
	BUG	B1-U0-G1	B1-U0-G1	B1-U0-G1	B1-U0-G1	B1-U0-G1	B1-U0-G1	B1-U0-G1	B1-U0-G1
	V	5710	6330	6510	6540	5200	5770	5930	5960
	Lm/W	114	127	130	131	104	115	119	119
60	II	6170	6850	7050	7090	5510	6110	6290	6310
	Lm/W	103	114	118	118	92	102	105	105
	BUG	B1-U0-G1	B1-U0-G1	B1-U0-G1	B1-U0-G1	B1-U0-G1	B1-U0-G1	B1-U0-G1	B1-U0-G1
	III	6470	7180	7380	7420	5750	6380	6560	6600
	Lm/W	108	120	123	124	96	106	109	110
	BUG	B1-U0-G1	B1-U0-G1	B2-U0-B2	B2-U0-G2	B1-U0-G1	B1-U0-G1	B1-U0-G1	B1-U0-G1
	V	6630	7360	7570	7610	6040	6710	6900	6940
	Lm/W	111	123	126	127	101	112	115	116
70	II	7000	7760	7990	8030	6250	6930	7130	7170
	Lm/W	100	111	114	115	89	99	102	102
	BUG	B1-U0-G1	B1-U0-G2	B1-U0-G2	B1-U0-G2	B2-U0-G1	B2-U0-G1	B2-U0-G1	B2-U0-G1
	III	7340	8240	8380	8420	6520	7230	7440	7480
	Lm/W	105	118	120	120	93	103	106	107
	BUG	B2-U0-G1	B2-U0-G2	B2-U0-G2	B2-U0-G2	B2-U0-G1	B1-U0-G2	B2-U0-G2	B2-U0-G2
	V	7520	8340	8580	8630	6860	7610	7820	7870
	Lm/W	107	119	123	123	98	109	112	112
BUG	B3-U0-G1	B3-U0-G2	B3-U0-G2	B3-U0-G2	B3-U0-G1	B3-U0-G1	B3-U0-G1	B3-U0-G1	



3600 Lind Avenue SW Suite 140  
 Renton WA 98057  
 425-336-5800 [www.evluma.com](http://www.evluma.com)

TP-0063 RevA08

Copyright © 2022 Express Imaging Systems, LLC. Evluma, RoadMax, ConnectLED, and Photocontrol Failsafe are trademarks of Express Imaging Systems, LLC. All rights reserved. Content is subject to change. For informational purpose only. MET labs logo is a registered trademark of MET labs.