

# ROADMAX® RX2

## Evluma's Next Generation Roadway Luminaire LED ROADWAY LIGHTING

### Applications:

Residential streets,  
local and major roadways, parking lots,  
campuses, industrial parks.



### RX2 Wattage Range: 70-220W

### RX2 Lumen Range: 8,000-28,000 lumens

RoadMax RX2 delivers high-performance roadway distributions coupled with exceptional glare control. This sleek, utility-grade luminaire is easily configurable to meet a multitude of application requirements.

### Replaces 150W-400W HID

The RoadMax RX2 is a dual light engine luminaire with a lumen output ranging from 8,000 - 28,000 lumens and wattages ranging from 70 – 220 watts. Lumen output and wattage can be changed in the field through your choice of optional manual or wireless controls.

### Construction & Finish

Cast aluminum housing with TGIC-free, polyester powder-coat in a variety of colors. Hinged tool-less access panel for wiring access. The 4-bolt tenon clamp accepts a 2" or 1-1/4" diameter arm. Step adjustment of +/- 5° tilt and integral bubble level built-in. Removable wildlife guard. Coastal version with enhanced hardware available meeting 3000-hour salt spray.

### Thermal Protection

Solid aluminum housing provides excellent passive cooling for all electronics. LED & driver life is ensured by thermal management protection that limits current levels to the LEDs based on temperature. Luminaire is rated for full performance at -40°C min to 50°C max ambient temperature.

### Lumen Maintenance

L70 (10,000) >55,000  
L90 (10,000) >55,000  
L70 (TM21) >100,000

### LED & Optical

High-efficacy LEDs with color temperature options of 2700 – 5000 Kelvin and CRI > 70. High-performance Type II, Type III, and Type V primary borosilicate optics rated at IP66. Factory or field-installable secondary lens available on all optics for managing glare while achieving superior pole spacing. All configurations are Zero Uplight (U0 BUG). Field-installable light trespass shields are available.

### Electrical

120-277 VAC 60 Hz auto-adjusting. 20kV/10kA surge protection per ANSI C136.2 – 2018 Extreme rating. Three-position terminal block with optional pigtailed. Separate electronics compartment is rated IP66.

### Controls

Dimmable driver. 0-10V interface standard with 7-pin NEMA receptacle option. Manual wattage control (FAO) optional.

Custom packages includes Photocontrol FailSafe™ and compatibility with the Bluetooth BLE ConnectLED™ mobile app. Can be combined with Evluma's integrated photocell, 3-pin, or 7-pin receptacles.

### Warranty

Ten-year warranty.



# ROADMAX RX2

## PRODUCT CONFIGURATIONS

SAMPLE NUMBER: RX2-220E3T2G0-S3HGL2-A0BN

FAMILY ID	WATTS	OUTPUT	CCT (K)	DISTRIBUTION	LENS	PCR / RECEPTACLE / FAILSAFE
RX2 = RoadMax medium	070 = 70 085 = 85 100 = 100 120 = 120 140 = 140 160 = 160 180 = 180 200 = 200 220 = 220	E = high output	7 = 2700 3 = 3000 4 = 4000 5 = 5000	T2 = type II T3 = type III T5 = type V	G0= none G1= diffused glare control	S3= 3 pin receptacle only S7= 7 pin receptacle only (0-10V) SP= Integrated Photocell  F3= S3 pin + Failsafe/CLED F7= S7 pin + Failsafe/CLED FP= Integrated P + Failsafe/CLED

HOUSING	LEADS	FEATURE CODE A	FEATURE CODE B
HG = standard gray HB = standard black HZ = standard bronze  ZG = coastal gray ZB = coastal black ZZ = coastal bronze	L0 = none L6 = 6' L1 = 10' L2 = 20'	A0 = none AF = FAO (field-adjustable wattage selector)	B0 = none BN = NEMA label

### Lenses

The primary glass RX2 lenses are designed to deliver precise, evenly-distributed light with a low veiling luminance for Type II, Type III and Type V distributions.

Choose G1 to add a secondary lens made from a specially formulated LED acrylic for exceptional glare control.

### Photocell Receptacles

All photocell receptacles are rotatable. Wireless photocell not provided.

### Integrated Photocell (P)

Evluma's integrated photocell shortens installation time. This UV-resistant, polycarbonate photocell meets FM 4473 impact resistance.

### Photocontrol Failsafe™ (Failsafe)

Photocontrol Failsafe eliminates the need to replace failed photocells, saving truck-rolls. Combine this patented technology with S3, S7 sockets or the P option. Premium packaged with ConnectLED.

### ConnectLED™ (CLED)

Order the RX2 configured for compatibility with Evluma's ConnectLED app.

ConnectLED uses Bluetooth BLE technology to securely control individual luminaires. ConnectLED is available as an Apple or Android app. Sold separately.

**Field Adjustable Wattage Selector (FAO)** Manually adjust luminaire wattage and lumen output in the field using the FAO. Seven output levels.

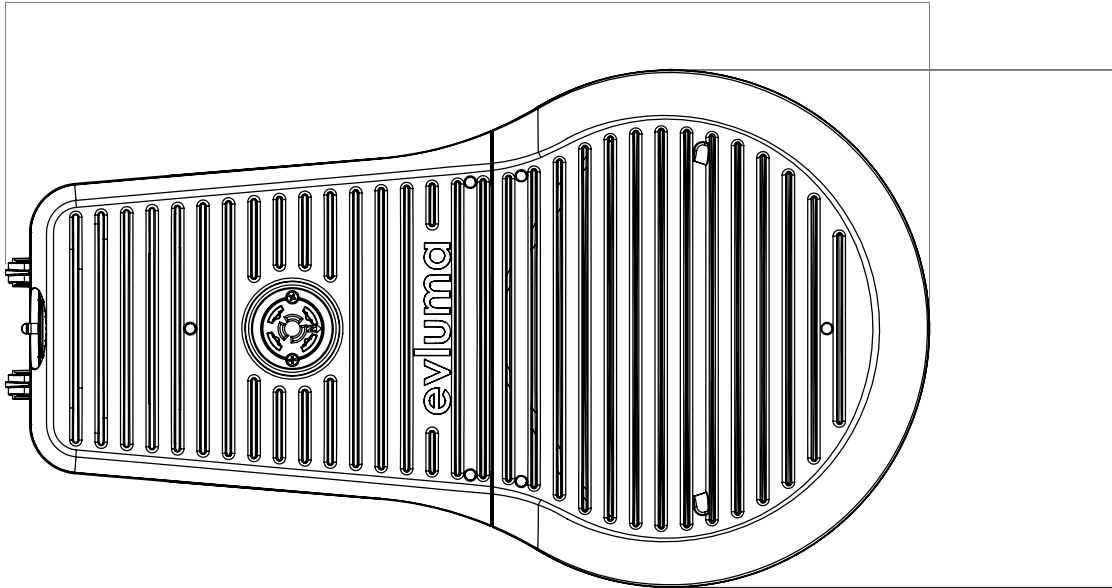
### FAO SETTINGS

SWITCH POSITION	INPUT WATTS MULTIPLIER	DELIVERED LUMENS MULTIPLIER
A	100%	100%
B	89%	91%
C	77%	84%
D	65%	72%
E	54%	61%
F	43%	50%
G	33%	39%
H	23%	28%

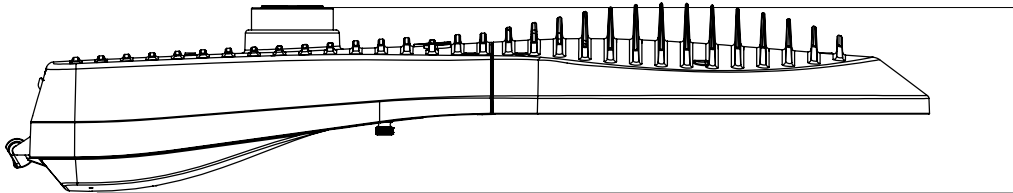
Multiply the nominal wattage and/or lumens to arrive at reduced values. Typical accuracy is +/- 10%. Select the A position if using with an S7 socket and wireless node.

## RX2 DIMENSIONS

28.57 in  
72.60 cm



16 in  
40.60 cm



5.74 in  
14.60 cm

## TECHNICAL SPECS



### Electrical Data

120-277 VAC 60 Hz.  
THD <20% 120-277 VAC  
PF >90% 120-277 VAC  
Driver Lifetime >100,000 hrs  
-40°C Min / 50°C Max Temp

### Shipping

Single unit Weight = 17lbs

LTL pallet qty 18

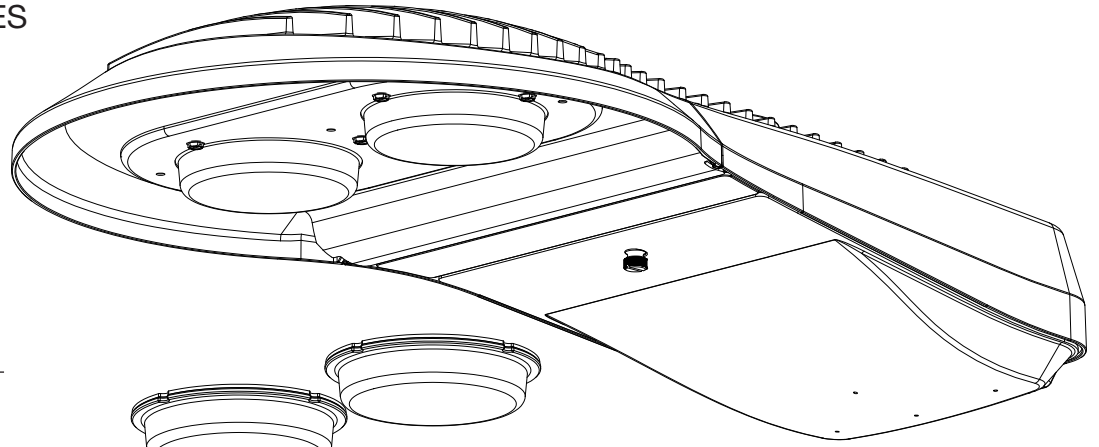
### Certification Data

UL 1598. MET Labs  
IP66. IEC 60598-1  
ASTM D2247-68  
EPA >.6 sq ft

C136.31-2018  
Level2/3G Vibration

ANSI C136.2-2018  
20kV/10kA Surge

## RX2 LENS ACCESSORIES



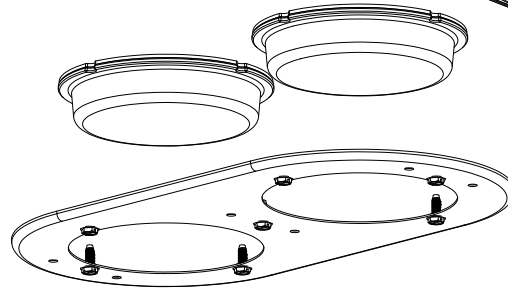
### SECONDARY LENS FOR GLARE CONTROL

Push Veiling Luminance even lower while maintaining competitive pole spacing within RP-8 recommendations.

RX2 can be ordered from the factory with a set of secondary lenses installed for additional glare control, or order the set separately for installation in the field at a later date.

Prioritize glare reduction while maintaining high roadway performance.

The glare control lens is made from a specially formulated optical acrylic for use with LEDs. Coastal version available. To order separately see the catalog number below.



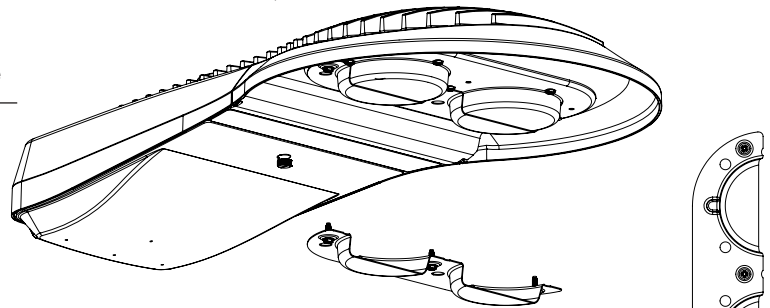
RX2-LENSG1

FAMILY ID	STYLE	COLOR
RX2	LENSG1 = secondary lens for glare control	HG = standard gray HB = standard black HZ = standard bronze  ZG = coastal gray ZB = coastal black ZZ = coastal bronze

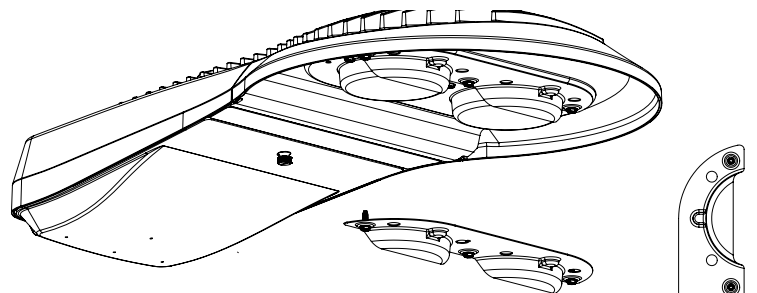
### LIGHT TRESPASS SHIELDS

Reduce light trespass and discomfort glare. Field installable shields can be mounted over primary optics or secondary lenses front or back. Shields maintain No Uplight (U0) rating and add no additional EPS. Coastal version available.

FAMILY ID	STYLE	COLOR
RX2	LTS1 = house-side shield (large)	HG = standard gray HB = standard black HZ = standard bronze
	LTS2 = front-side shield (small)	ZG = coastal gray ZB = coastal black ZZ = coastal bronze



RX2-LTS1  
house-side shield



RX2-LTS2  
front-side shield

# RX2 PERFORMANCE

Nominal lumen values reported. Individual fixtures may vary ± 10%.

WATTAGE	DISTRIBUTION Type, Lm/W & BUG	LUMENS (all CCT ≥ 70 CRI)							
		G0 option - primary lens				G1 option - glare control			
		2700K	3000K	4000K	5000K	2700K	3000K	4000K	5000K
70 E Output	II	9070	10110	10390	10460	8060	8990	9240	9300
	Lm/W	130	144	148	149	115	128	132	133
	BUG	B2-U0-G2	B2-U0-G2	B2-U0-G2	B2-U0-G2	B2-U0-G2	B2-U0-G2	B2-U0-G2	B2-U0-G2
	III	9050	10090	10370	10430	8030	8960	9210	9270
	Lm/W	129	144	148	149	115	128	132	132
	BUG	B2-U0-G2	B2-U0-G2	B2-U0-G2	B2-U0-G2	B2-U0-G2	B2-U0-G3	B2-U0-G3	B2-U0-G3
	V	9810	10940	11240	11310	8750	9760	10030	10090
	BUG	B3-U0-G2	B3-U0-G2	B3-U0-G2	B3-U0-G2	B3-U0-G2	B3-U0-G2	B3-U0-G2	B3-U0-G2
85 E Output	II	10750	11990	12320	12390	9570	10670	10970	11040
	Lm/W	126	141	145	146	113	126	129	130
	BUG	B2-U0-G2	B2-U0-G2	B2-U0-G2	B2-U0-G2	B2-U0-G	B2-U0-G2	B2-U0-G2	B2-U0-G2
	III	10730	11970	12300	12380	9530	10630	10920	10990
	Lm/W	126	141	145	146	112	125	128	129
	BUG	B2-U0-G2	B2-U0-G3	B2-U0-G3	B2-U0-G3	B2-U0-G3	B2-U0-G3	B2-U0-G3	B2-U0-G3
	V	11630	12970	13340	13420	10380	11580	11900	11970
	BUG	B3-U0-G2	B4-U0-G2	B4-U0-G2	B4-U0-U2	B3-U0-G2	B3-U0-G2	B3-U0-G2	B3-U0-G2
100 E Output	II	12340	13760	14150	14230	10990	12260	12600	12670
	Lm/W	123	138	142	142	110	123	126	127
	BUG	B2-U0-G2	B2-U0-G2	B2-U0-G2	B2-U0-G2	B2-U0-G2	B2-U0-G2	B2-U0-G2	B2-U0-G2
	III	12320	13750	14130	14210	10940	12200	12550	12620
	Lm/W	123	138	141	142	109	122	126	126
	BUG	B2-U0-G3	B2-U0-G3	B2-U0-G3	B2-U0-G3	B2-U0-G3	B2-U0-G3	B2-U0-G3	B2-U0-G3
	V	13360	14900	15320	15410	11920	13300	13670	13750
	BUG	B4-U0-G2	B4-U0-G2	B4-U0-G2	B4-U0-G2	B3-U0-G2	B3-U0-G2	B3-U0-G2	B3-U0-G2
120 E Output	II	14450	16110	16560	16660	12870	14350	14750	14840
	Lm/W	120	134	138	139	107	120	123	124
	BUG	B2-U0-G2	B2-U0-G2	B2-U0-G2	B2-U0-G2	B3-U0-G3	B3-U0-G3	B3-U0-G3	B3-U0-G3
	III	14430	16090	16540	16640	12810	14290	14690	14780
	Lm/W	120	134	138	139	107	119	122	123
	BUG	B2-U0-G3	B2-U0-G3	B2-U0-G3	B2-U0-G3	B2-U0-G3	B3-U0-G3	B3-U0-G3	B3-U0-G3
	V	15640	17440	17930	18040	13960	15570	16000	16100
	BUG	B4-U0-G2	B4-U0-G2	B4-U0-G2	B4-U0-G2	B3-U0-G2	B3-U0-G2	B3-U0-G2	B3-U0-G2
140 E Output	II	16430	18330	18840	18960	14630	16320	16780	16880
	Lm/W	117	131	135	135	105	117	120	121
	BUG	B2-U0-G2	B3-U0-G2	B3-U0-G2	B3-U0-G2	B3-U0-G3	B3-U0-G3	B3-U0-G3	B3-U0-G3
	III	16410	18310	18820	18930	14570	16250	16710	16810
	Lm/W	117	131	134	135	104	116	119	120
	BUG	B2-U0-G3	B3-U0-G3	B3-U0-G3	B3-U0-G3	B3-U0-G3	B3-U0-G3	B3-U0-G3	B3-U0-G3
	V	17790	19840	20400	20520	15880	17710	18200	18310
	BUG	B4-U0-G2	B4-U0-G2	B4-U0-G2	B4-U0-G2	B3-U0-G2	B3-U0-G2	B3-U0-G2	B3-U0-G2
160 E Output	II	18340	20450	21020	21150	16120	17980	18480	18590
	Lm/W	115	128	131	132	101	112	116	116
	BUG	B3-U0-G3	B3-U0-G3	B3-U0-G3	B3-U0-G3	B3-U0-G3	B3-U0-G3	B3-U0-G3	B3-U0-G3
	III	18280	20390	20960	21080	16230	18100	18600	18720
	Lm/W	114	127	131	132	101	113	116	117
	BUG	B3-U0-G3	B3-U0-G3	B3-U0-G3	B3-U0-G3	B3-U0-G3	B3-U0-G3	B3-U0-G3	B3-U0-G3
	V	19810	22100	22710	22850	17680	19720	20270	20390
	BUG	B4-U0-G2	B4-U0-G2	B4-U0-G2	B4-U0-G2	B4-U0-G3	B4-U0-G3	B4-U0-G3	B4-U0-G3

WATTAGE	DISTRIBUTION Type, Lm/W & BUG	LUMENS (all CCT ≥ 70 CRI)							
		G0 option - primary lens				G1 option - glare control			
		2700K	3000K	4000K	5000K	2700K	3000K	4000K	5000K
180 E Output	II	20090	22400	23030	23170	17660	19690	20240	20360
	Lm/W	112	124	128	129	98	109	112	113
	BUG	B3-U0-G3	B3-U0-G3	B3-U0-G3	B3-U0-G3	B3-U0-G3	B3-U0-G3	B3-U0-G3	B3-U0-G3
	III	20020	22330	22960	23100	17780	19830	20380	20500
	Lm/W	111	124	128	128	99	110	113	114
	BUG	B3-U0-G3	B3-U0-G3	B3-U0-G3	B3-U0-G3	B3-U0-G4	B3-U0-G4	B3-U0-G4	B3-U0-G4
	V	21700	24200	24880	25030	19370	21600	22210	22340
	BUG	B4-U0-G2	B4-U0-G2	B4-U0-G2	B4-U0-G2	B4-U0-G3	B4-U0-G3	B4-U0-G3	B4-U0-G3
200 E Output	II	21710	24220	24890	25050	19090	21290	21880	22020
	Lm/W	109	121	124	125	95	106	109	110
	BUG	B3-U0-G3	B3-U0-G3	B3-U0-G3	B3-U0-G3	B3-U0-G3	B3-U0-G3	B3-U0-G3	B3-U0-G3
	III	21650	24150	24820	24970	19220	21430	22030	22160
	Lm/W	108	121	124	125	96	107	110	111
	BUG	B3-U0-G3	B3-U0-G3	B3-U0-G3	B3-U0-G3	B3-U0-G4	B3-U0-G4	B3-U0-G4	B3-U0-G4
	V	23460	26170	26900	27060	20940	23360	24010	24150
	BUG	B4-U0-G2	B4-U0-G2	B4-U0-G2	B4-U0-G2	B4-U0-G3	B4-U0-G3	B4-U0-G3	B4-U0-G3
220 E Output	II	23220	25900	26630	26790	20420	22770	23410	23550
	Lm/W	106	118	121	122	93	104	106	107
	BUG	B3-U0-G3	B3-U0-G3	B3-U0-G3	B3-U0-G3	B3-U0-G3	B3-U0-G3	B3-U0-G3	B3-U0-G3
	III	23160	25830	26550	26710	20550	22920	23560	23700
	Lm/W	105	117	121	121	93	104	107	108
	BUG	B3-U0-G3	B3-U0-G3	B3-U0-G3	B3-U0-G3	B3-U0-G4	B3-U0-G4	B3-U0-G4	B3-U0-G4
	V	25090	27980	28760	28940	22400	24980	25680	25830
	BUG	B4-U0-G2	B5-U0-G3	B5-U0-G3	B5-U0-G3	B4-U0-G3	B4-U0-G3	B4-U0-G3	B4-U0-G3



3600 Lind Avenue SW Suite 140  
 Renton WA 98057  
 425-336-5800 www.evluma.com